

**PowerBoss<sup>®</sup>**  
*The Power of Clean*

## **PHOENIX 20 SUPER SPORT FLOOR SCRUBBER BRUSH DRIVE**



**PowerBoss, Inc.**  
**A Member of The Hako Group**

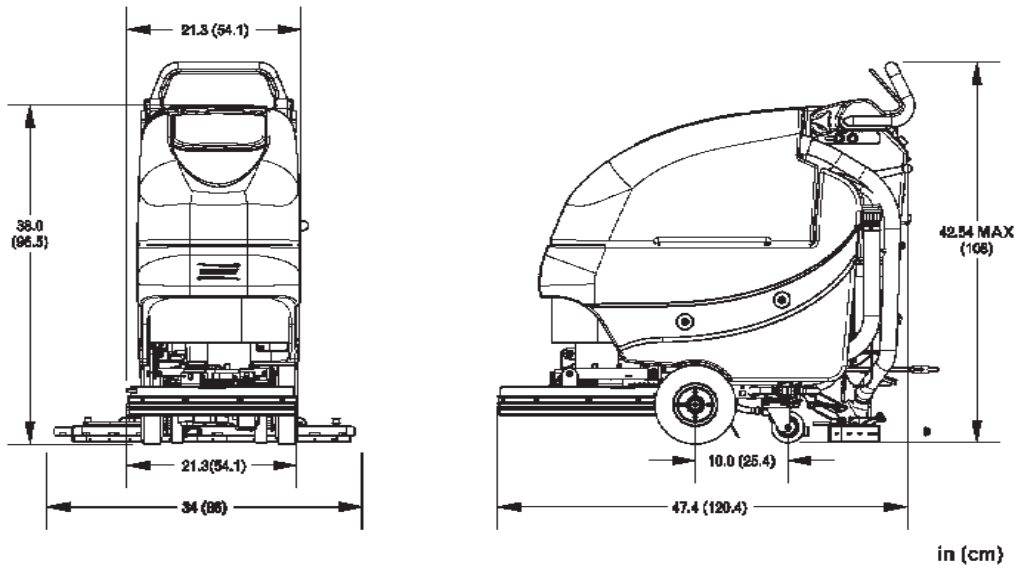
988721PBS Rev B 08/20

## Technical Specifications

**Model** Phoenix 20 Floor Scrubber Brush Drive

**Model No.** PHX20SS / PHX20SSQP / PHX20SSQPG

<b>Current (Max)</b>	32 amps
<b>Battery Capacity (Lead Acid)</b>	105Ah @20 hr
<b>Battery Capacity (Gel)</b>	95Ah @20 hr
<b>Sound Level</b>	69 dBA
<b>Cleaning path width</b>	20 in (51 cm)
<b>Squeegee width</b>	34 in (86 cm)
<b>Theoretical productivity (Brush Drive)</b>	15,000 ft <sup>2</sup> /hr ( 1,394 m <sup>2</sup> )
<b>Working speed (Brush Drive)</b>	1.7 mph (2.7 km per hr)
<b>Transport speed</b>	3 mph (4.8 km per hr)
<b>Rated voltage</b>	24 volts
<b>Vacuum flow</b>	65 cfm (110 m3/hr)
<b>Vacuum waterlift</b>	45 inches ( 112mbar)
<b>Vacuum power</b>	.60 HP (450 W)
<b>Brush type</b>	Disc
<b>Brush motor(s) power</b>	3/4 HP (560W)
<b>Number of brushes</b>	1
<b>Brush RPM</b>	180 RPM
<b>Aqua-Stop equipped</b>	Coming Soon
<b>Solution capacity</b>	12 Gal (45 liters)
<b>Recovery capacity</b>	13 Gal (49 liters)
<b>Working Grade</b>	2%
<b>Weight with batteries</b>	313 lbs (142 kg)
<b>Weight without batteries</b>	203lbs (92 kg)
<b>Dimensions (LxWxH)</b>	47.4 x 21.3 x 42.3 (120.4 x 54.1 107.4 cm)



### For Safety When Servicing or Maintaining Machine

- Stop on level surface.
- Disconnect the power to the machine by pulling the red Battery Connector located under the recovery tank near the batteries.
- Avoid moving parts. Do not wear loose jackets, shirts, or sleeves when working on machine.
- Avoid contact with battery acid. Battery acid can cause burns. When working on or around batteries, wear protective clothing and safety glasses. Remove metal jewelry. Do not lay tools or metal objects on top of batteries.
- Do not clean machine with a pressure washer.
- Authorized personnel must perform repairs and maintenance. Use PowerBoss supplied replacement parts.

## Brush Options

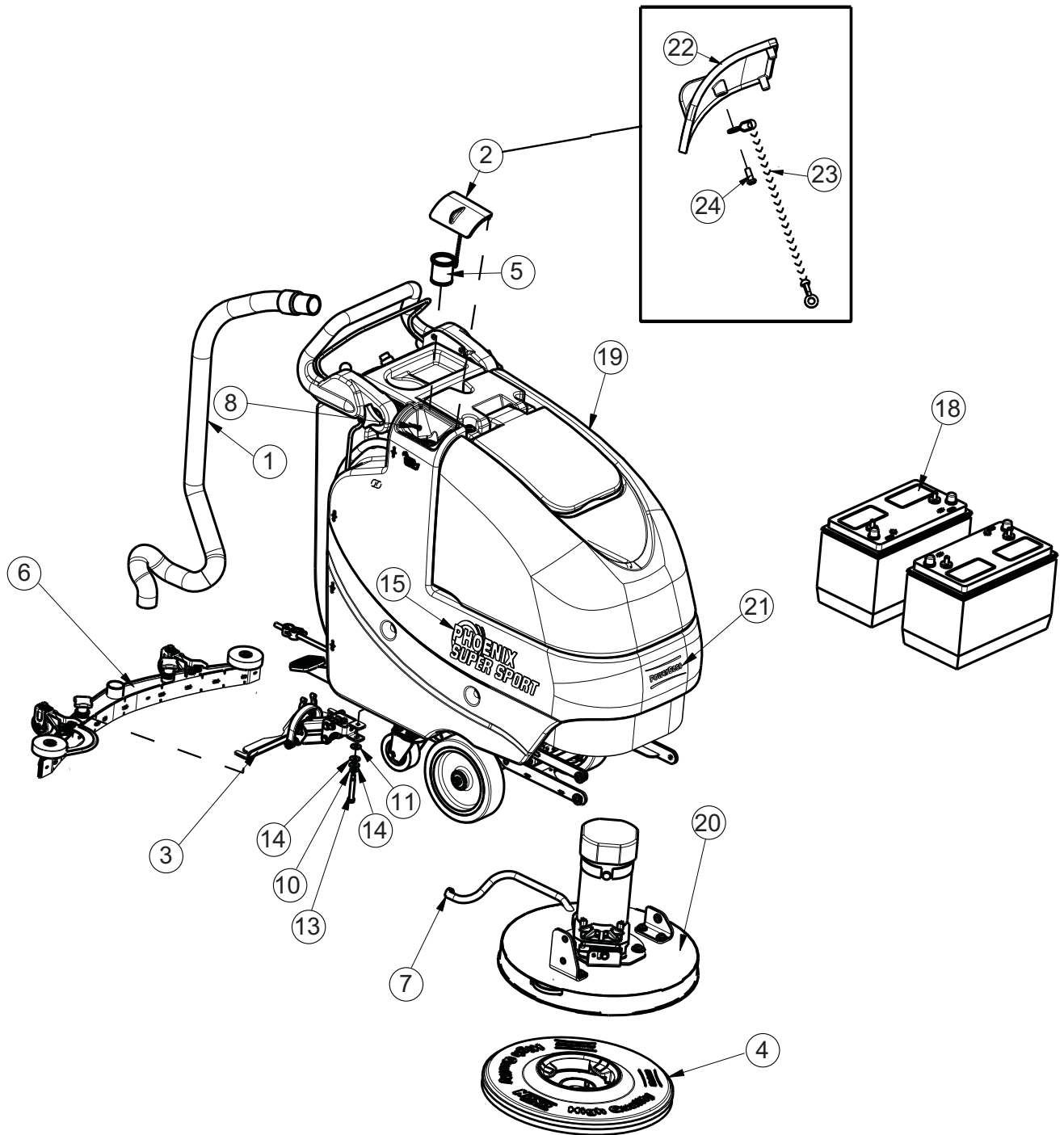
BRUSH OPTIONS			
		AQUA STOP BRUSHES	
762394	PAD RETAINER, FIXED - NOT SHOWN	7951-01	BRUSH, 20" LIGHT-MED PP.5 A/S, WHITE
762370	PAD RETAINER, REMOVEABLE - NOT SHOWN	7951-02	BRUSH, 20" LIGHT-MEDIUM A/S, K901, BLACK
172520-1	BRUSH, 20" NYLON	7951-03	BRUSH, 20" MED NYL 600GR, A/S GREY (STANDARD)
172520-3	BRUSH-DISC, 20" NYLO-GRIT 80GR, GREEN	7951-04	BRUSH, 20" MEDIUM-HEAVY PP.8 A/S, WHITE
172520-6	DISC BRUSH 20", SCRUB GRIT 2, 120GR RED	7951-05	BRUSH, 20" HEAVY NYLON 180GR. A/S, GREY
172520-2	PAD DRIVER, 20"	7951-06	BRUSH, 20" HEAVY-2 NYL 120GR. A/S, GREEN

## Table of Contents

Technical Specifications .....	2
Brush Options.....	3
Main Assembly .....	6
Traction Drive Base Assembly .....	8
Base Assembly .....	10
Chassis Assembly .....	12
Solenoid Assembly .....	14
Old Style - Solution Valve Assembly .....	15
New Style - Solution Valve Assembly.....	15
Solution Control Handle Assembly .....	16
Solution Tank Assembly .....	18
Lift Pedal Stop Assembly.....	19
Battery Tray Assembly.....	20
Recovery Tank Assembly .....	22
Handle Assembly.....	24
Electrical Box Assembly .....	26
Vacuum Switch Assembly .....	28
Vac Motor Assembly .....	29
Electrical Panel Assembly .....	30
Electrical Box Cover Assembly.....	32
20" Brush Deck Assembly .....	34
PHX20 Brush Hub Assembly.....	36
Tension Band Sub-Assembly .....	37
Rear Squeegee Assembly.....	38
Squeegee Mechanism Assembly .....	40
Wiring Diagrams.....	42
Warranty .....	46



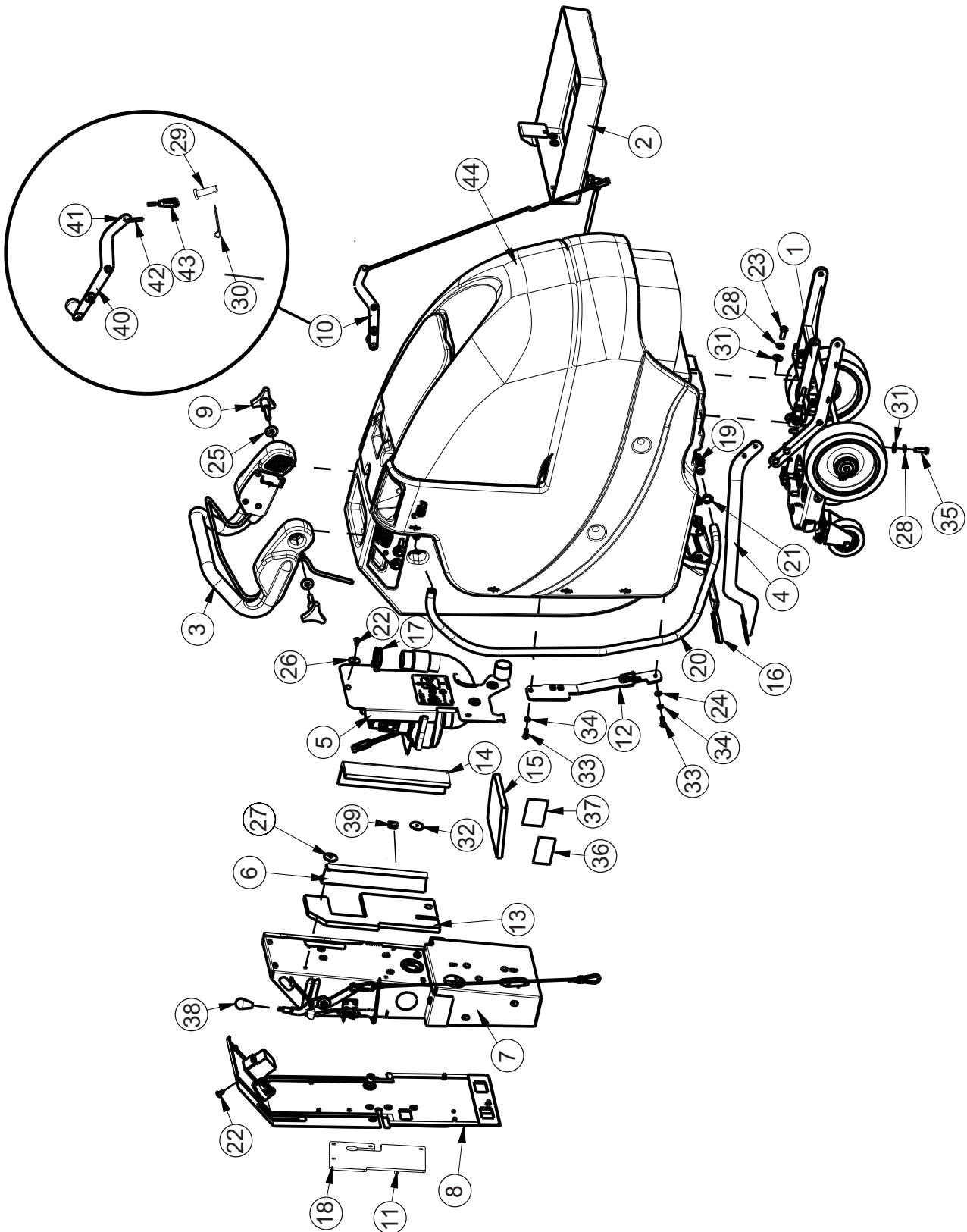
## Main Assembly



**Main Assembly BOM**

ITEM	PART NO.	QTY	DESCRIPTION
1	172010	1	HOSE, CLEAR VAC W/ 45 CUFF
2	172018	1	SOLUTION TANK LID ASSY
3	172150	1	SQUEEGEE LIFT MECH ASSY
5	172159	1	FILTER, FILL PORT, ES1720
6	172534	1	SQUEEGEE ASSY, 34" (860) CURVED
7	450076	1	CLAMP-CRIMP 185R SS
8	711118	1	SCR-ST-A 10 X .75 SS
10	711523	1	WSR-WAVE .37X .68 X .08
11	711569	1	WSR-FLT .390 X .880 X .062 NYL
13	712143	1	BLT-SHLD 3/8 X 2.0, 5/16-18
14	712301	2	WSR-FLAT .37 X .87 X .06
15	715959	2	DECAL, PHX SS
16	740164-1	1	JUMPER CABLE ASSY, RED 4G 12"
17	747649	1	CABLE ASSY, BATTERY
18	956704	2	BATTERY, 12V 155AH
18G	956158	2	BATTERY, 12V 140AH (AGM)
19	172001TD-120	1	TRAC DRV BASE ASSY-120V CHARGER
19A	172001TD-230	1	TRAC DRV BASE ASSY-230V CHARGER
20	172100TD	1	TD BRUSH DECK ASSY 20"
21	3334902	1	DECAL-SMALL MACHINE POWERBOSS
24	172008	1	SOLUTION TANK LID
25	172123	1	CHAIN, BEADED SS W/ EYELETS
26	712145	1	SCR-PAN HD HI/LO 6-19 X .37SS
23	715914W	1	DECAL, MINUTEMAN W/SWOOSHES, WHITE
24	172008	1	SOLUTION TANK LID
25	172123	1	CHAIN, BEADED SS W/EYELETS
26	712145	1	SCR-MC 6-32 X .37 PPH SS

Traction Drive Base Assembly

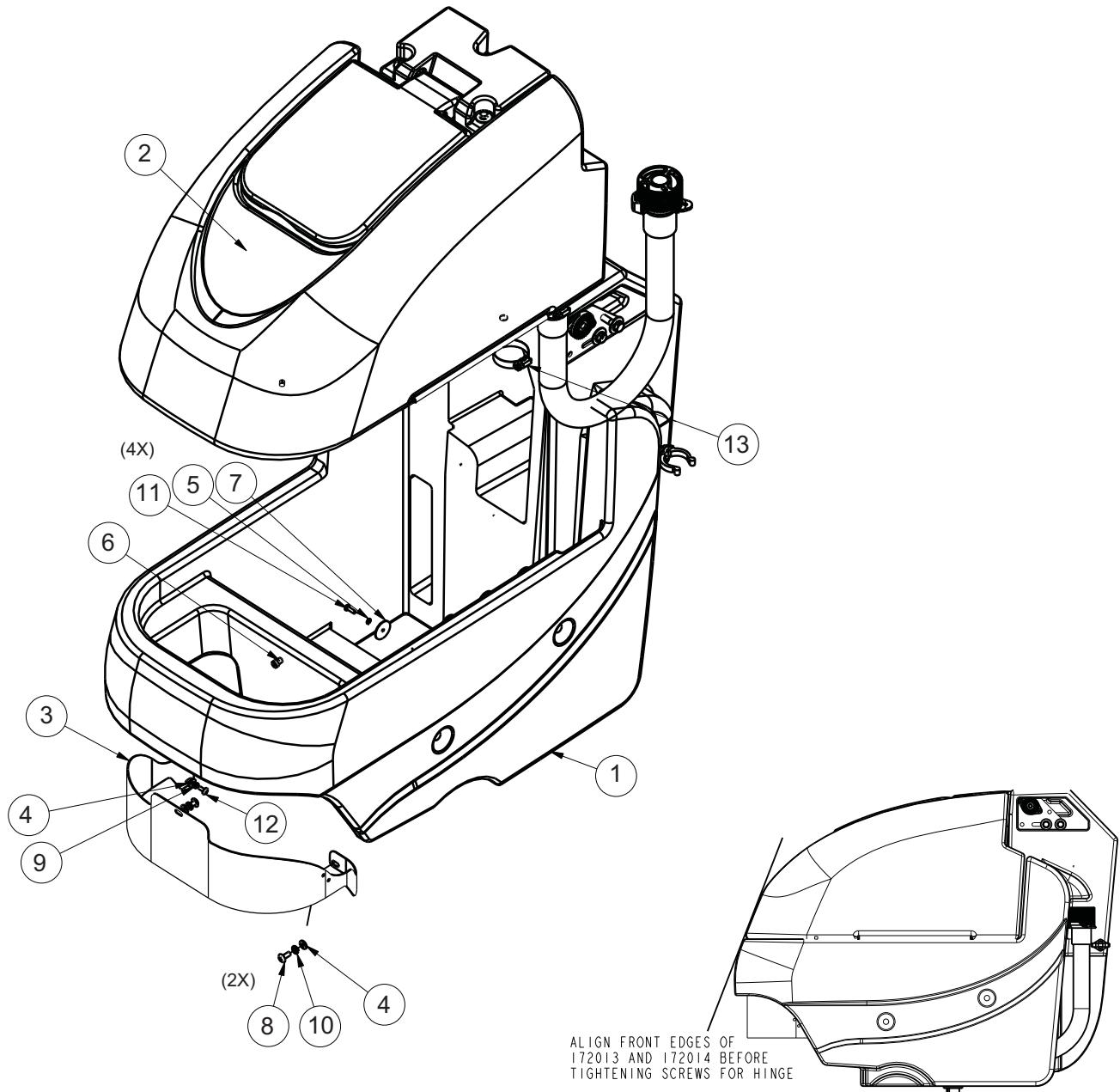




**Traction Drive Base Assembly BOM**

BILL OF MATERIAL - 172001TD - 120/230							
ITEM	PART NO	QTY	DESCRIPTION	ITEM	PART NO	QTY	DESCRIPTION
1	172009	1	TD CHASSIS ASSY	23	710985	2	SCR-SC 3/8-16 X .62 ST PL
2	172012	1	BATTERY TRAY ASSY	24	711504	2	WSR-FLAT 1/4 ID SS
3	172015	1	TD HANDLE ASSY	25	711507	2	WSR-FLAT .37 X 1.12 X .06
4	172032	1	LIFT PEDAL WMT	26	711519	3	WSR- FLAT .25 X 1.01 X .06
5	172050	1	VAC MOTOR ASSY	27	711543	1	WSR-HELICAL #10
6	172055	1	BKT, VAC AREA INSIDE COVER	28	711546	6	WSR-HELICAL 3/8
7	172075-SPORT	1	ELEC BOX ASSY SPORT	29	711803	1	COTTER PIN-HAIR
8	172079-SPORT	1	ELEC BOX COVER ASSY SPORT	30	712117	1	CLEVIS PIN
9	172085	2	KNOB, 3/8-16 STUD, 3 LOBE	31	712301	6	WSR-FLAT .37 X .87 X .06
10	172112	1	SOL CONTROL ASSY	32	712312	2	WSR-FLAT .187 X 1.25
11	172129	1	BKT, PWR CORD MOUNT	33	712562	2	BOLT-HH 1/4-20X3/4 SS
12	172166	1	TD LIFT PEDAL BKT ASSY	34	712758	2	WSR-HELICAL 1/4 SS
13	172184	1	FOAM COVER, REAR 1	35	713042	4	BLT-HH 3/8-16 X 1 #5
14	172185	1	FOAM COVER, REAR 2	36	715029	1	DECAL-NAME PLATE SERIAL
15	172187	1	FOAM COVER, FRONT 2	37	715047	1	DECAL-CLEAR LAMINATE 2X3
16	210142	1	PEDAL PAD	38	760592	1	KNOB, OVAL TAPERED
17	3303255	1	CLAMP-HOSE 1.75 DIA NOMINAL	39	809443	1	CLIP-WIRE & CORD
18	293080	1	STRAIN RELIEF-HEYCO 1207	40	172115	1	SOL CNTRL LEVER ASSY
19	342440	1	FITTING, TEE 3/4MPT 1/2 BARB PP	41	172122	1	NUT, PUSH-ON WSR CAP, 3/16
20	430156	1	HOSE, 1/2 X 42 CLEAR	42	172069	1	ROD, SOL. CTRL
21	450093	2	CRIMP CLAMP 3/4" STEPLESS	43	172062	1	YOKE, 3/16 CLEVIS, 10-32, LONG
22	710178	10	SCR-MC 1/4-20 X .50 TRUSS STPL	44	172001BASE	1	BASE ASSY

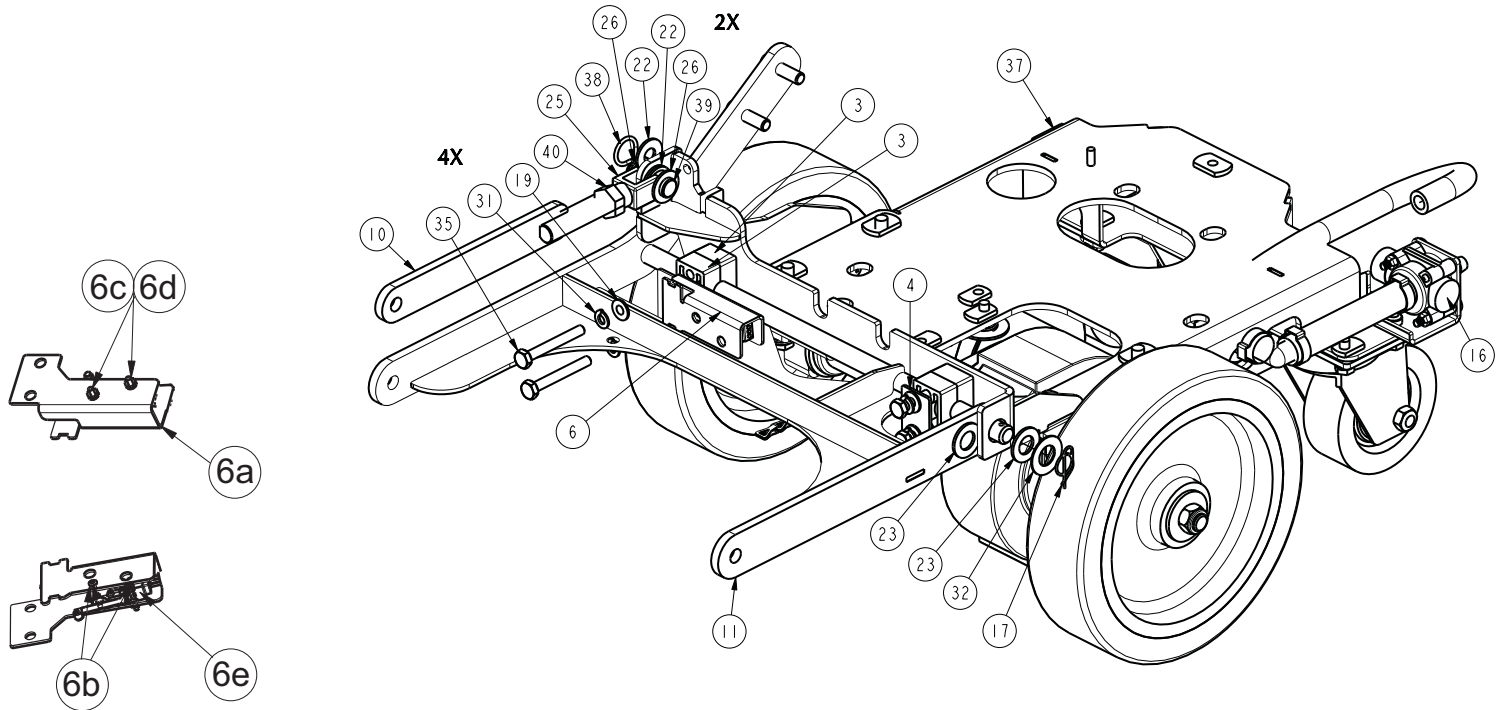
## Base Assembly



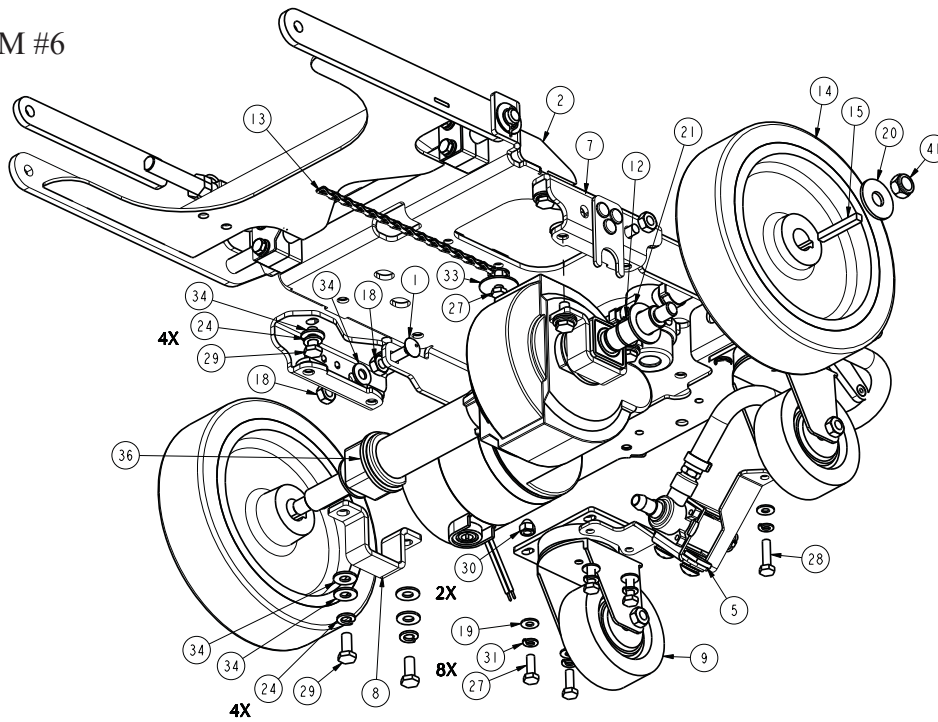
**Base Assembly BOM**

<b>BILL OF MATERIAL - 172001BASE</b>			
<b>ITEM</b>	<b>PART NO.</b>	<b>QTY</b>	<b>DESCRIPTION</b>
1	172013	1	SOLUTION TANK ASSY
2	172014HR	1	RECOVERY TANK ASSEMBLY
3	172144	1	COVER, FRONT PANEL E1720
4	711504	3	WASHER-FLAT 1/4 SS
5	711543	4	WASHER-LOCK #10 SPLIT ZP
6	712041	1	BLT-SHOULDER 5/16 X .375 LG X 1/4-20 BLK
7	712312	4	WASHER-BALANCING .187 X 1.25
8	712565	2	SCR-THMS 1/4-20 X .62 SS
9	712757	1	WASHER-LOCK #10 SPLIT SS
10	712758	2	WASHER-LOCK 1/4 SPLIT SS
11	712812	4	SCR-PHMS 10-24 X .62 ZP
12	712822	1	SCR-THMS 10-24 X .50 SS
13	3303255	1	CLAMP-HOSE 1.75 DIA NOMINAL

## Chassis Assembly



ITEM #6

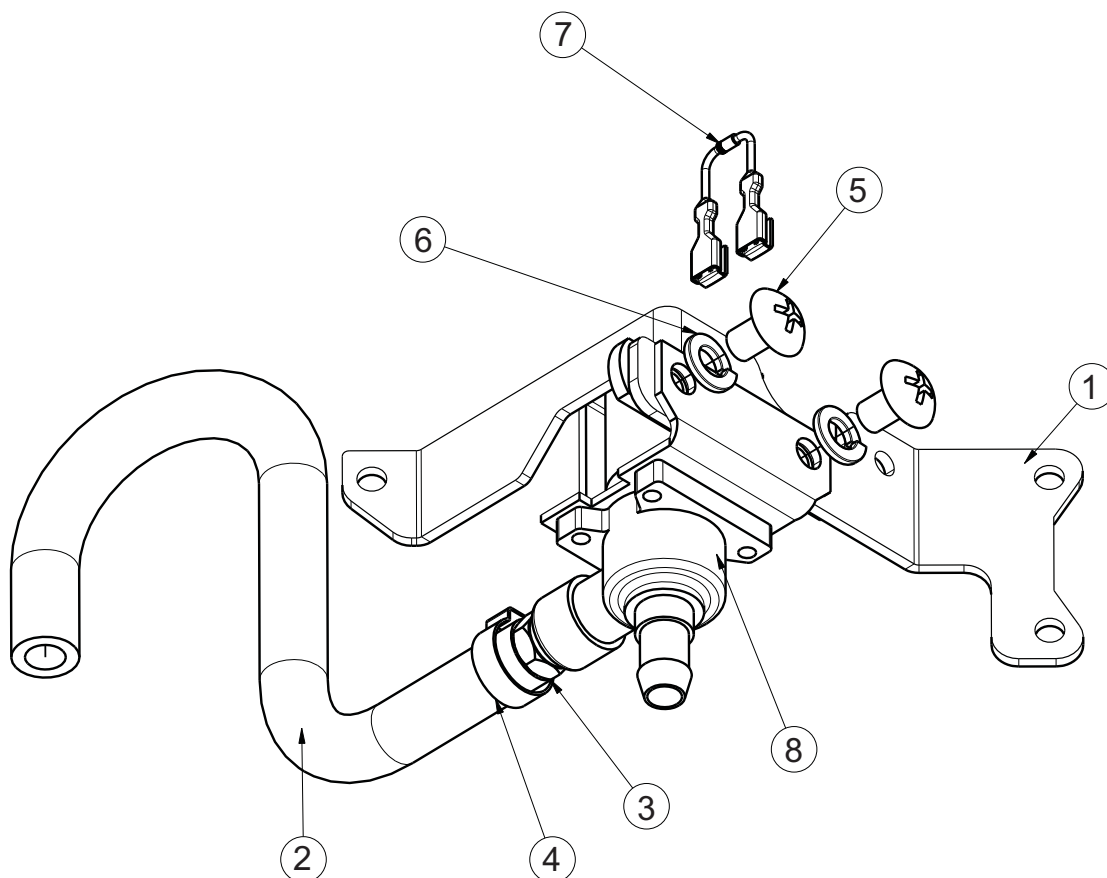


**Chassis Assembly BOM**

**BILL OF MATERIAL - 172009**

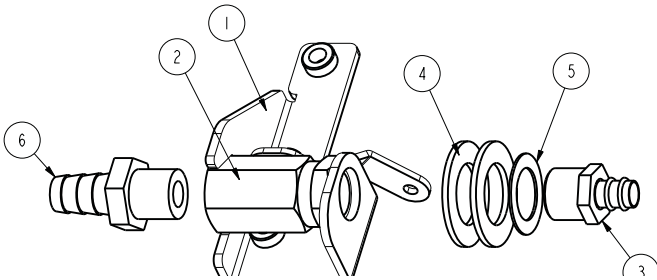
ITEM	PART NO.	QTY	DESCRIPTION	ITEM	PART NO.	QTY	DESCRIPTION
1	70-516-16	2	BLT-CARR 5/16-18 X 1 ZP	19	711504	12	WASHER-FLAT 1/4 SS
2	172020	1	E1720 MAIN FRAME WMT	20	711510	2	WASHER-FLAT 1/2 X 1.37 X .10 ZP
3	172038	4	BEARING BLOCK	21	711512	2	WASHER-FLAT 3/4 X 1.37 X .08 ZP
4	172039	1	BEARING BLOCK PLATE	22	711569	3	WASHER-FLAT .390 X .880 X .062 NYL
5	172104	1	SOLENOID MOUNT ASSY	23	711592	2	WASHER-FLAT 1/2 X .90 X .064 NYLON
6	172110	1	DECK SWITCH ASSY	24	712140	8	WASHER-LOCK 5/16 SPLIT SS
6a	172111	1	BEARING BLOCK/SWITCH PLATE	25	712265	1	CLEVIS-YOKE, 1/2-20 WITH .375 PIN
6b	710493	2	SCR-RHMS 4-40 X .75 ZP	26	712301	2	WASHER-FLAT 3/8 X .87 X .06 ZP
6c	711428	2	NUT-HEX 4-40 ZP	27	712562	8	SCR-HH 1/4-20 X .75, 18-8 SS
6d	712326	2	WASHER-INT LOCK #4 SS	28	712564	1	SCR-HH 1/4-20 X 1.00 SS
6e	747603-2	1	SWITCH ASY, MICRO ROLLER W/PACK/CONDUIT	29	712575	8	SCR-HH 5/16-18 X .75 18-8 SS
7	172113	2	BKT, TRANSAXLE MOUNT BASE	30	712591	2	NUT-ACORN 1/4-20 SS
8	172114	2	BKT, TRANSAXLE MOUNT	31	712758	12	WASHER-LOCK 1/4 SPLIT SS
9	172167	2	CASTER, 3 1/2" PU WHEEL	32	712760	1	WASHER-FLAT .56 X 1.06 X .04 SS
10	172368	1	UPPER LIFT ARM	33	712761	1	WASHER-FENDER 1/4 X 1.25 X .059 SS
11	172370	1	DISC DECK LIFT WMT, E1720	34	712772	14	WASHER-FLAT .344 X .75 X .06 SS
12	172425	2	RING-RET EXT .75/20mm HD	35	713007	4	SCR-HH 1/4-20 X 2.00 ZP GR 5
13	172516	1	DRAG CHAIN, SS, 8" W/ RING	36	747606	1	TRANSAXLE, E1720 24V
14	172518	2	WHEEL, 8X2 PU GROOVED	37	809444	1	CLIP-CORD
15	172519	2	KEY-SQUARE 6MM X 45MM	38	833374	1	PIN-HAIRPIN COTTER 3/8
16	172571	1	ASSY-SOLUTION VALVE E1720	39	833833	1	PIN-CLEVIS 3/8 X 1.25
17	600578	1	RING-RUE .50 ZP	40	3400449	1	NUT-JAM 1/2-20 ZP
18	711383	4	NUT-HEX 5/16-18 ZP REVERSE LOC	41	12040077	2	NUT-NYLOC M12 X 1.75 ZD CLASS 8

**Solenoid Assembly**



BILL OF MATERIAL - 172104			
ITEM	PART #	QTY	DESCRIPTION
1	172105	1	BKT, SOLENOID MOUNT
2	281637	1	HOSE-WIRE REINF 3/8 X 11"
3	320264	1	FTG-ADAPTER 1/4 MPT X 1/4 HB BRASS
4	450076	1	CLAMP-HOSE 5/8 (.590-.791) SS
5	710195	2	SCR-PHMS 5/16-18 X .50 ZP
6	711545	2	WASHER-LOCK 5/16 SPLIT ZP
7	740482	1	DIODE ASY, 1N4007 W/PIGGY
8	740493	1	VALVE-WATER 24VDC

**Old Style - Solution Valve Assembly**



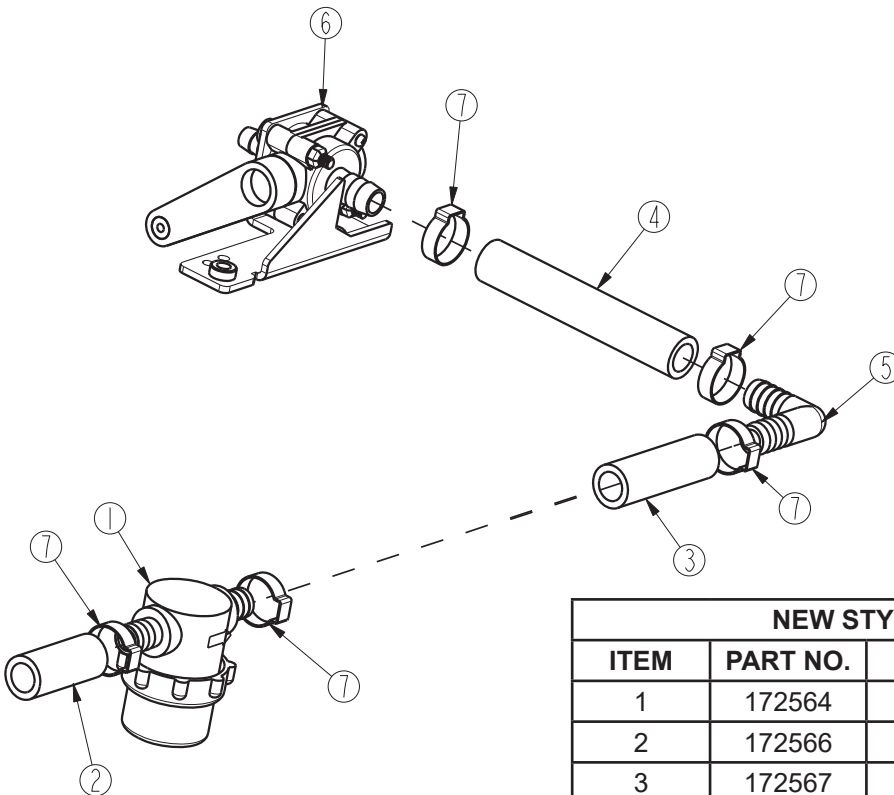
**\*\*\*REPLACING OLD STYLE BRASS SOLUTION VALVE ASSEMBLY 172514 WITH 172571 PLASTIC SOLUTION VALVE ASSEMBLY**

**WILL REQUIRE THE PURCHASE OF KIT K-172571**

**NO LONGER AVAILABLE**

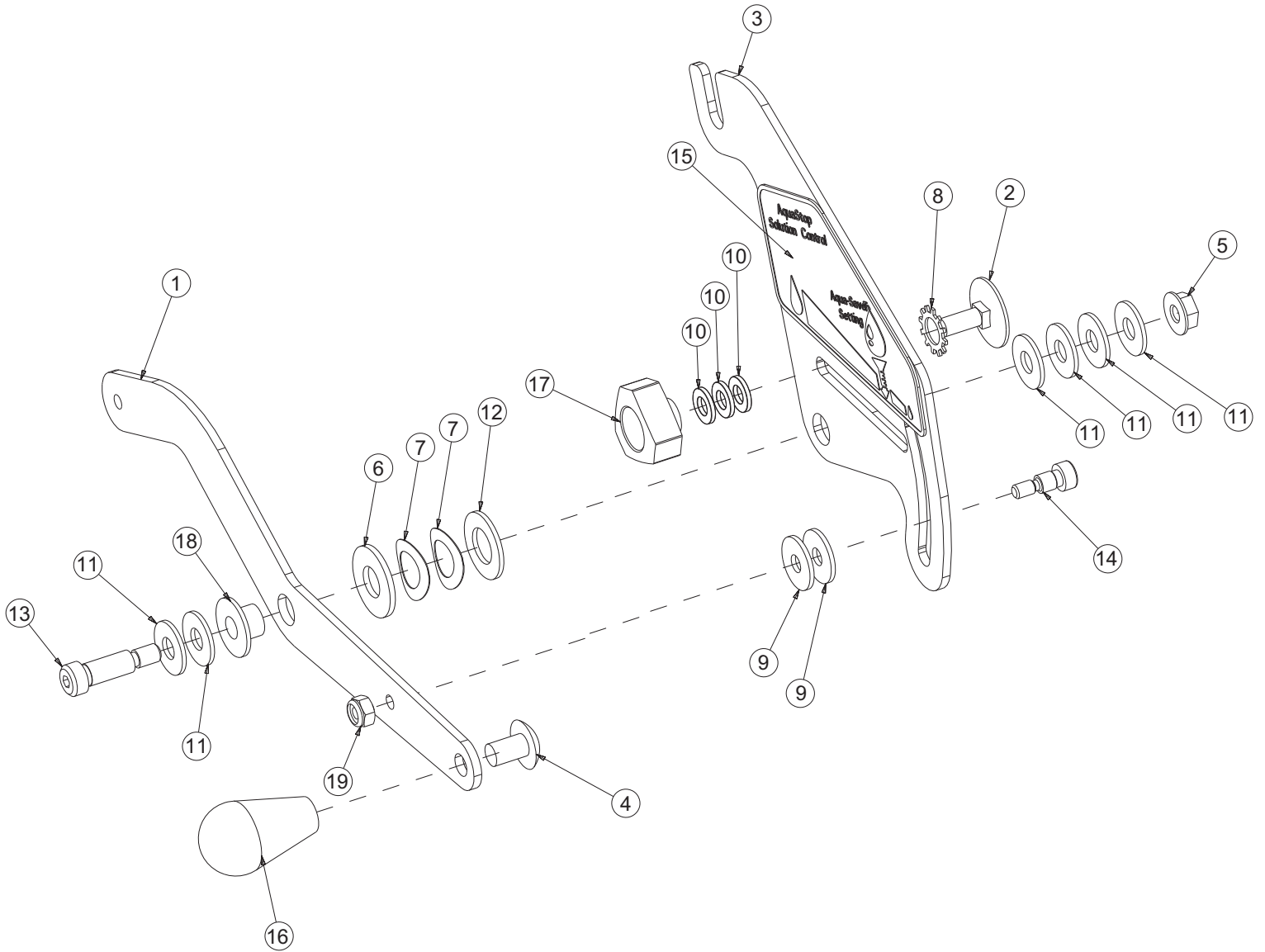
OLD STYLE - BILL OF MATERIAL - 172514			
ITEM	PART NO.	QTY	DESCRIPTION
1	172513	1	BRKT, SOL VALVE MOUNT
2	172515	1	BALL VALVE, BRASS, 3/8FNPT, CUST HANDLE
3	320265	1	FTG-ADAPTER 3/8 MPT X 3/8 HB BRASS
4	711512	2	WASHER-FLAT 3/4 X 1.37 X .08 ZP
5	711513	1	WASHER-FLAT .689 X 1.06 X .029-SS
6	827008	1	FTG-ADAPTER 3/8 MPT 1/2 HB BRASS

**New Style - Solution Valve Assembly**



NEW STYLE - BILL OF MATERIAL - 172571			
ITEM	PART NO.	QTY	DESCRIPTION
1	172564	1	FILTER-SOLUTION E1720
2	172566	1	HOSE- 1/2"ID X 1.75" NYLOBRAID
3	172567	1	HOSE-1/2"ID X 2.375" NYLOBRAID
4	172568	1	HOSE-WIRE REINF 1/2"ID X 4.25"
5	172569	1	FTG-ELBOW 90 1/2 HB X 1/2 HB NYLON
6	172579	1	SOLUTION CNTRL VALVE, WITH BRKT
7	383347	5	CLAMP-CRIMP 1/2 HOSE

Solution Control Handle Assembly

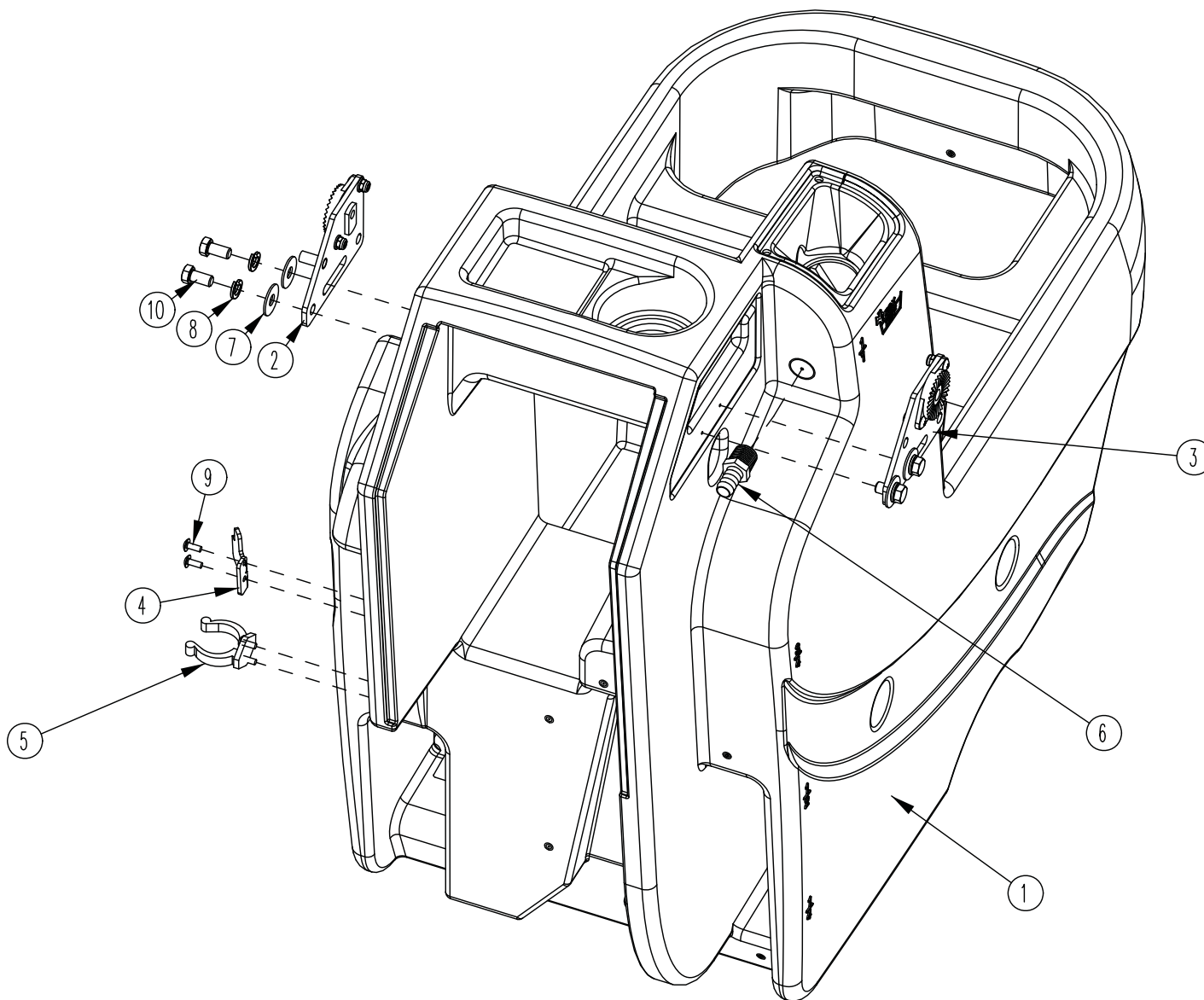




**Solution Control Handle Assembly BOM**

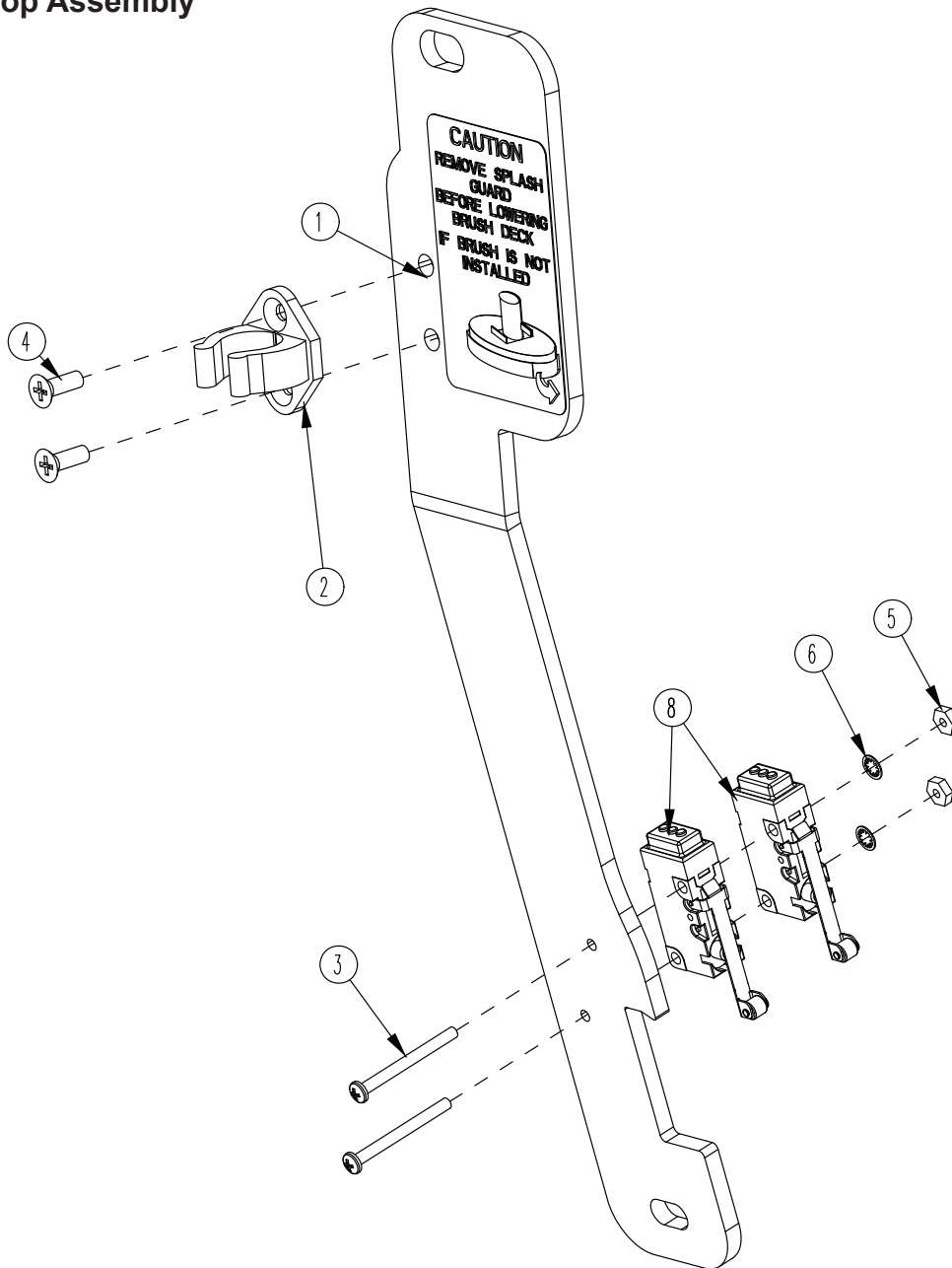
<b>BILL OF MATERIAL - 172577</b>			
<b>ITEM</b>	<b>PART NO.</b>	<b>QTY</b>	<b>DESCRIPTION</b>
1	172061	1	LEVER, SOLUTION CONTROL BRK'T
2	172424	1	BLT-ELEVATOR 1/4-20 x .75 ZINC
3	172575	1	BRKT, AQUASTOP SOL CNTRL
4	710195	1	SCR-PHMS 5/16-18 X .50 ZP
5	711425	1	NUT-FLANGED WIZZ 1/4-20 ZP
6	711508	1	WASHER-FLAT 3/8 X 1.00 X .08 ZP
7	711524	2	WASHER-FLAT 3/8 X 1.00 X .08 ZP
8	711539	1	WASHER-EXT LOCK 3/8 ZP
9	711550	2	WASHER-FLAT 1/4 X .75 NYLON
10	711566	3	WASHER-FLAT #12 X .50 X .065 ZP
11	711575	6	WASHER-FLAT 1/4 X .75 X .06 ZP
12	711592	1	WASHER-FLAT 1/2 X .90 X .064 NYLON
13	712070	1	BLT-SHOULDER 5/16 X .75 LG X 1/4-20 BLK
14	713598	1	BLT-SHOULDER 1/4 X .313 LG X 10-24 SS
15	715690	1	DECAL, AQUASTOP SOLUTION CONTROL
16	760592	1	KNOB-OVAL TAPERED
17	833214	1	KNOB-3 SIDED 1/4-20 INSERT
18	840202	1	BUSHING-FLG .31 X .435 X .325 NYL
19	3400399	1	NUT-NYLOC 10-24 SS

**Solution Tank Assembly**



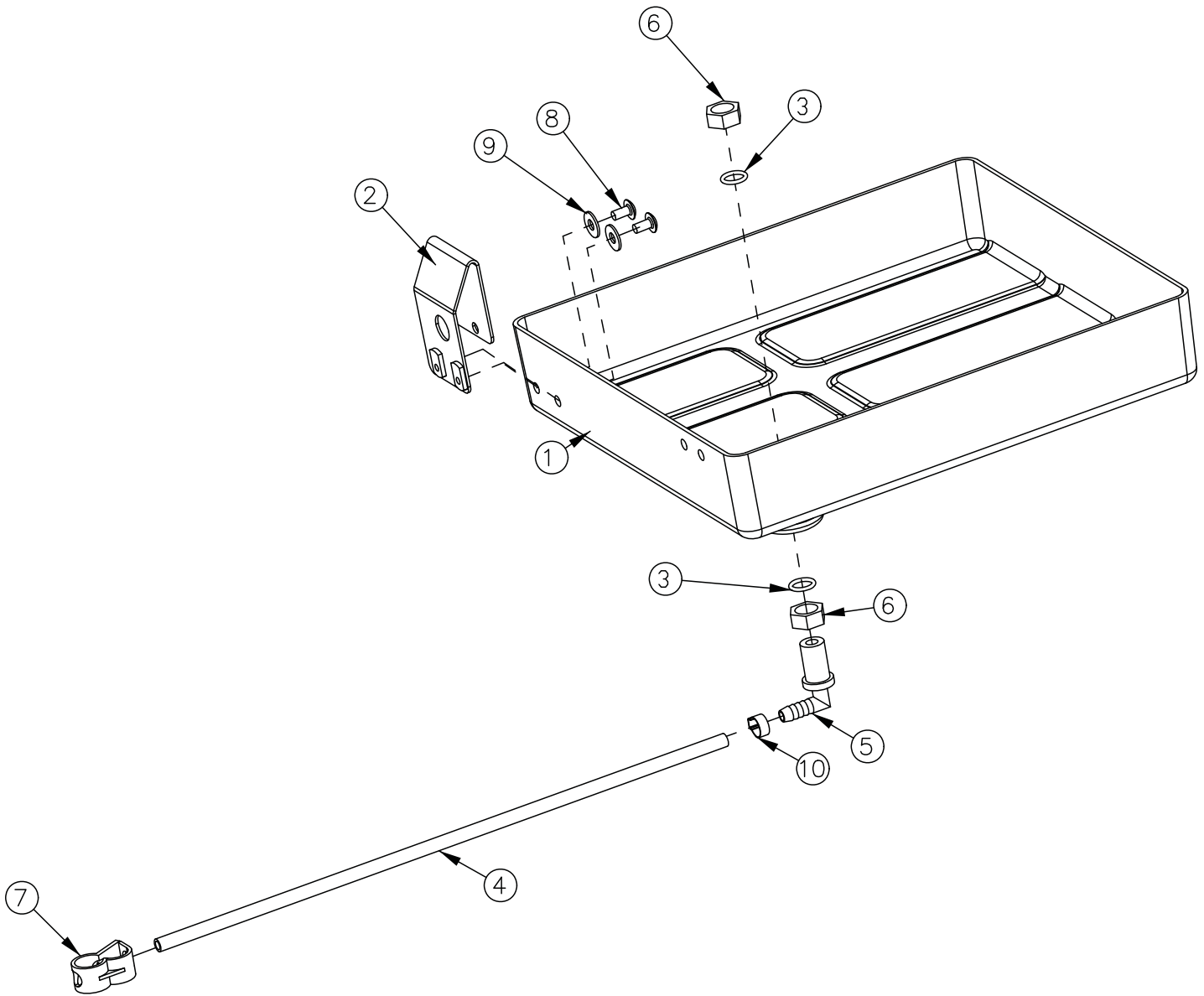
BILL OF MATERIAL - 172013			
ITEM	PART NO.	QTY	DESCRIPTION
1	172003	1	SOLUTION TANK
2	172080	1	HANDLE MOUNT ASSY, LEFT
3	172082	1	HANDLE MOUNT ASSY, RIGHT
4	172341	1	HOOK, DRAIN HOSE WITH TWIST VALVE
5	260579	1	TOOL CLIP, 1.5" HOSE
6	342438	1	FITTING, 1/2 MPT 1/2 HB BRASS
7	711507	4	WSR-FLAT .37 X 1.12 X .06
8	711546	4	WSR-HELICAL 3/8
9	712822	4	SCR-MC TR HD 10-24 X .50 SS
10	713041	4	BLT-HH 3/8-16 X 3/4 #5

Lift Pedal Stop Assembly



BILL OF MATERIAL - 172166			
ITEM	PART NO.	QTY	DESCRIPTION
1	172036	1	BKT, PEDAL STOP
2	172065	1	CLIP, FOR 1/2" ID HOSE
3	710495	2	SCR-MC 4-40 X 1.25 STL Z
4	710530	2	SCR-MC FL HD 8-32 X .50 BRS
5	711428	2	NUT-HEX 4-40
6	712326	2	WSR-INT LOCK #4
7	715685	1	DECAL, REMOVE SPLASH GUARD
8	747603-2	2	SWITCH ASY, MICRO ROLLER W/PACK/CONDUIT

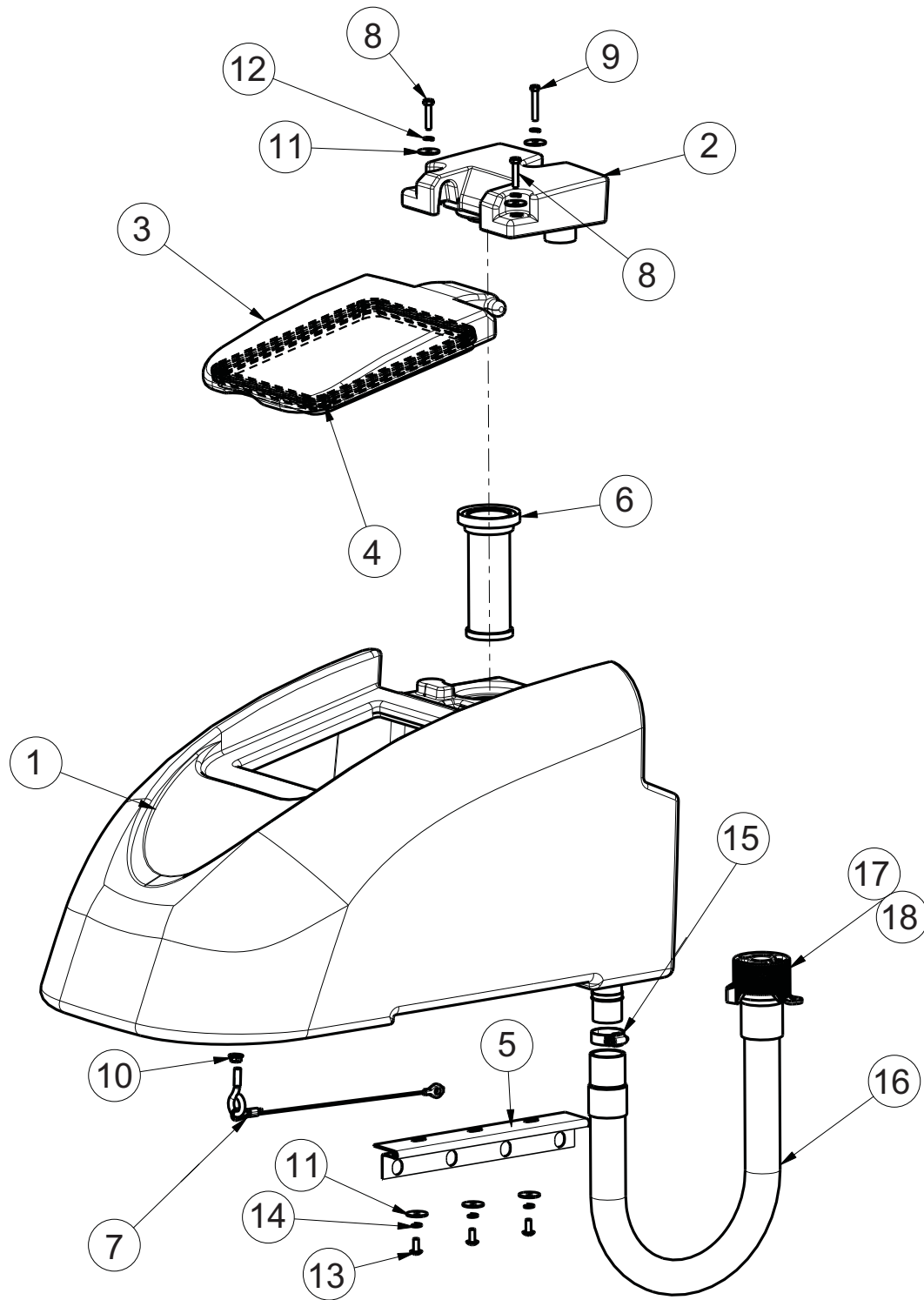
Battery Tray Assembly



**Battery Tray Assembly BOM**

BILL OF MATERIAL - 172012			
ITEM	PART NO.	QTY	DESCRIPTION
1	172116	1	BATTERY BOX
2	172213	1	BKT, SPACER FOR BATTERIES
3	210414	2	O RING 2-113
4	260224	1	18" HOSE
5	320271	1	NOZZLE BODY-ELBOW
6	320272	2	NOZZLE BODY LOCKNUT
7	320273	1	HOSE SHUT-OFF CLAMP
8	710178	2	SCR-MC 1/4-20 X .50 TRUSS STPL
9	711575	2	WSR-FLT .31x.75x.06ST
10	828490	1	CRIMP CLAMP 140R

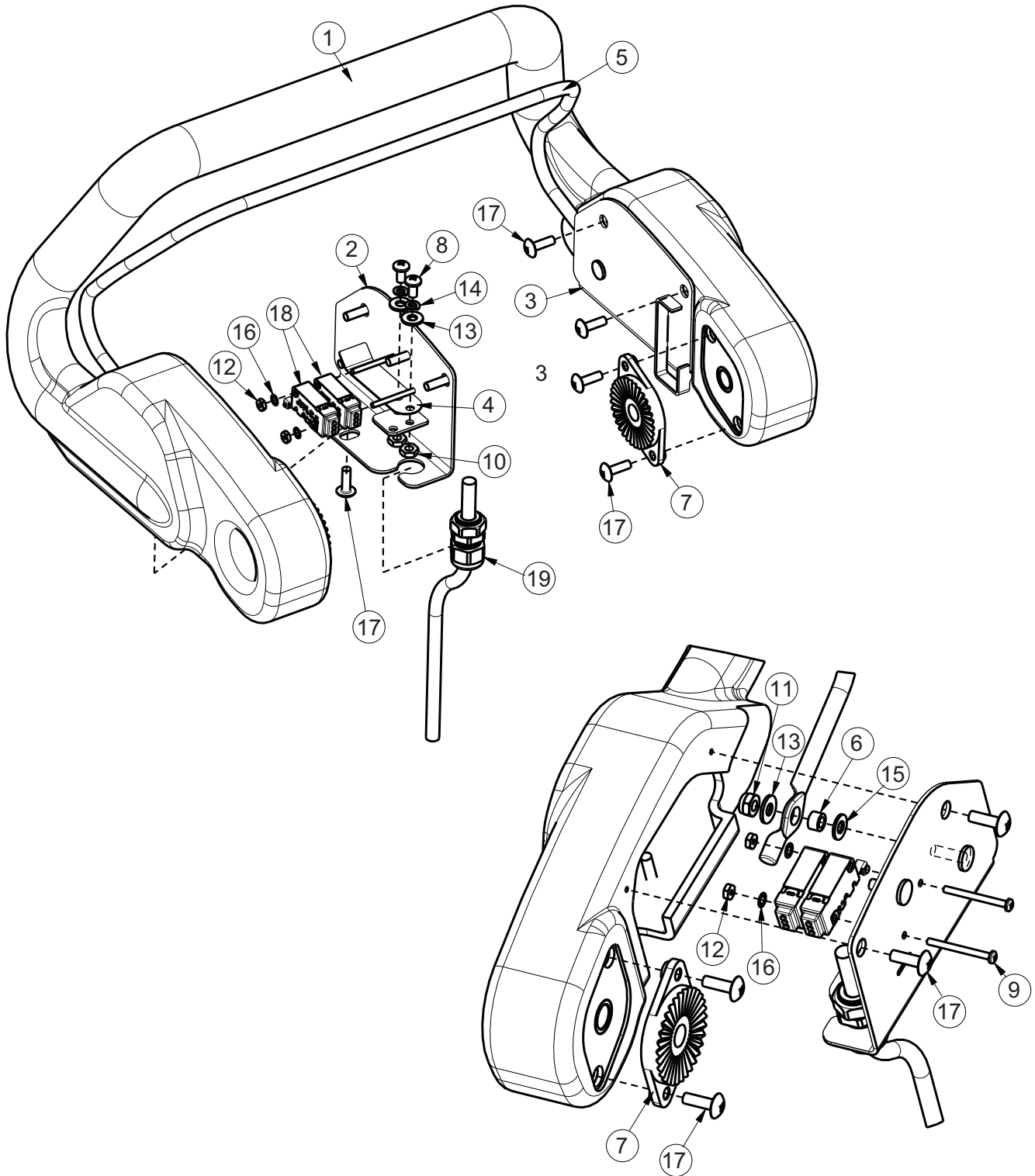
Recovery Tank Assembly



**Recovery Tank Assembly BOM**

<b>BILL OF MATERIAL - 172014HR</b>			
<b>ITEM</b>	<b>PART NO.</b>	<b>QTY</b>	<b>DESCRIPTION</b>
1	172004HR	1	RECOVERY TANK
2	172005HR	1	VACUUM MANIFOLD
3	172007	1	LID
4	172017	1	GASKET, LID
5	172049	1	HINGE, RECOVERY TANK
6	172132	1	FLOAT, SCREENED
7	172394	1	CABLE, REC TANK 12.0
8	711210	2	SCR-HH 1/4-20 X 1.25 ZP GR 5 FULL THRD
9	711212	1	SCR-HH 1/4-20 X 1.50 ZP GR 5
10	711379	1	NUT-FLANGED WIZZ 5/16-18 ZP
11	711519	6	WASHER-FLAT 1/4 X 1.00 X .06 ZP
12	711544	3	WASHER-LOCK 1/4 SPLIT ZP
13	712565	3	SCR-THMS 1/4-20 X .62 SS
14	712758	3	WASHER-LOCK 1/4 SPLIT SS
15	3303255	1	CLAMP-HOSE 1.75 DIA NOMINAL
16	97090096	1	DRAIN HOSE ASSY, RECOVERY TANK
17	15282072	1	REPLACEMENT O-RING
18	90304528	1	CAP

Handle Assembly

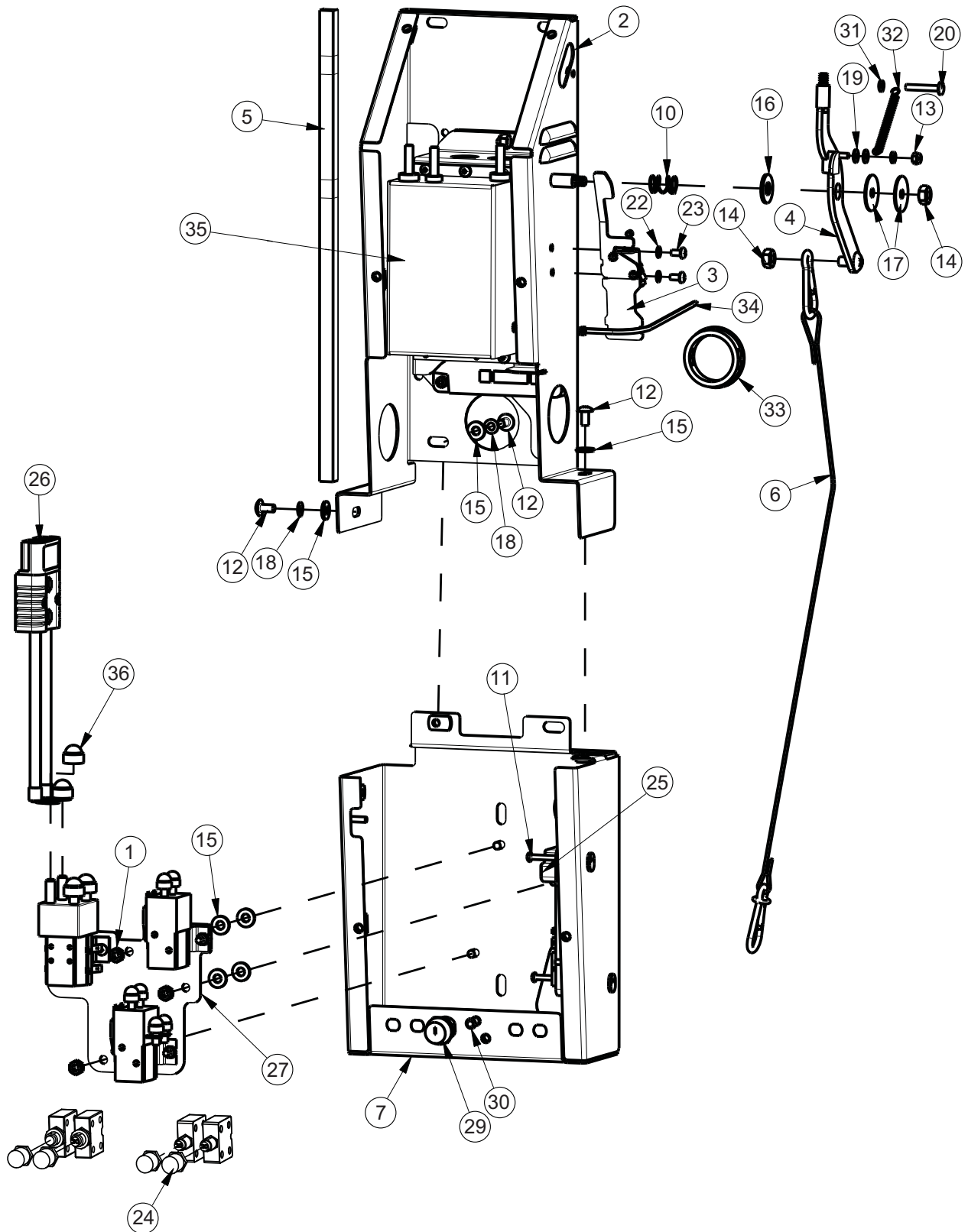




**Handle Assembly BOM**

<b>BILL OF MATERIAL - 172015</b>			
<b>ITEM</b>	<b>PART NO.</b>	<b>QTY</b>	<b>DESCRIPTION</b>
1	172006	1	HANDLE
2	172053	1	BAIL PLATE WMT RH
3	172054	1	BAIL PLATE WMT LH
4	172057	2	LEAF SPRING
5	172059	1	BAIL, HANDLE
6	172074	2	SPACER, 5/16OD X 17GA, ALUM
7	270143	2	HANDLE PIVOT JAW
8	710353	4	SCR-MC RD HD 10-32 X.37 STL
9	710495	2	SCR-MC 4-40 X 1.25 STL Z
10	711310	4	NUT, HEX 10-32 ST PL
11	711350	2	NUT-NYLOC 10-32
12	711428	2	NUT-HEX 4-40
13	711503	6	WSR, FLAT#10
14	711543	4	WSR-HELICAL #10
15	712320	2	WSR-NYLON .22 X.45 X.04
16	712326	2	WSR-INT LOCK #4
17	712830	10	SCR-MC 10-24 X.62 STLZ TR HD
18	747603-3	2	SWITCH ASY, MICRO ROLLER W/PACK/CONDUIT
19	747715-1	1	CABLE ASY, 5 COND 18G TD

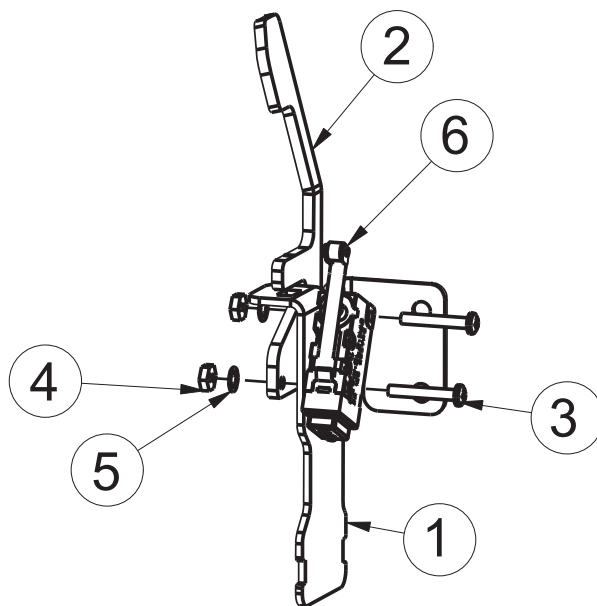
## Electrical Box Assembly



**Electrical Box Assembly BOM**

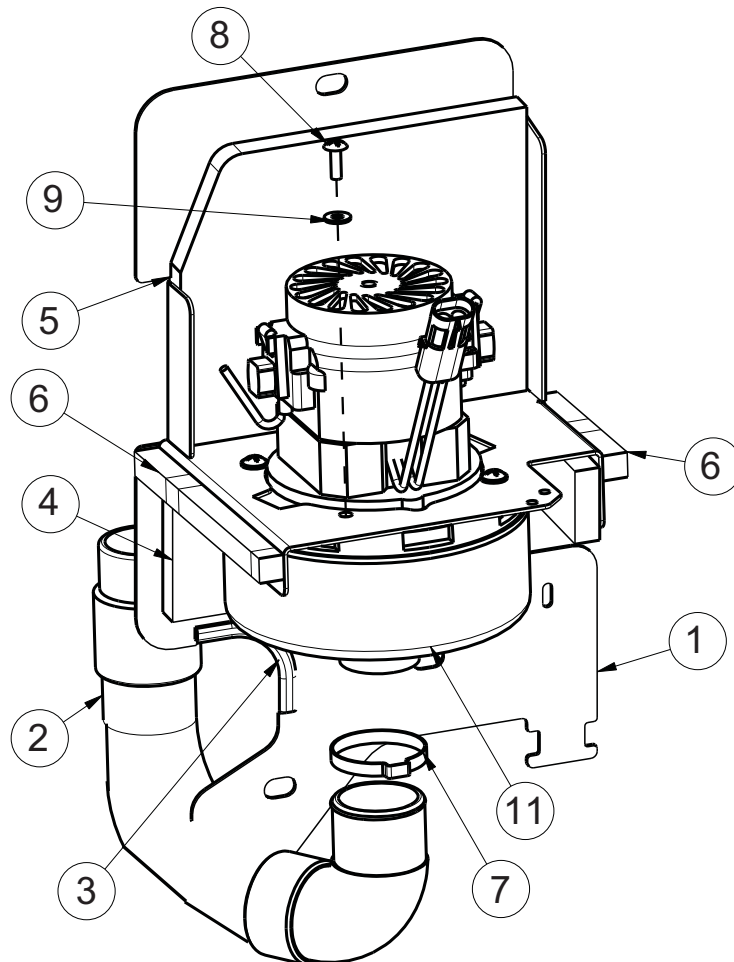
<b>BILL OF MATERIAL - 172075-SPORT</b>			
<b>ITEM</b>	<b>PART NO.</b>	<b>QTY</b>	<b>DESCRIPTION</b>
1	369-416	3	NUT-HEX 1/4-20 ZP DOUBLE SERRATED
2	172088	1	ELEC BOX TOP WMT
3	172141	1	VAC SWITCH ASSY
4	172152	1	WELDMENT-VAC LEVER
5	172188	1	FOAM TAPE, 1/2" SQ X 16.5"
6	172381	1	SQUEEGEE CABLE ASSY
7	172481	1	SPORT ELEC BOX BOTTOM HALF WMT
8	172492	1	PANEL, CHARGER MOUNT
9	172590	1	PLATE, MTG, CHARGER, IEB
10	670093	1	SPRING-COMP .502 X .6 X 1 ZINC
11	710035	2	SCR-PHMS 8-32 X 1.125 ZP
12	710178	3	SCR-THMS 1/4-20 X .50 ZP
13	711372	3	NUT-NYLOC 8-32 ZP
14	711383	2	NUT-HEX 5/16-18 ZP REVERSE LOC
15	711505	9	WASHER-FLAT 1/4 ZP
16	711508	1	WASHER-FLAT 3/8 X 1.00 X .08 ZP
17	711516	2	WASHER-FLAT 5/16 X 1.25 X .05 ZP
18	711544	2	WASHER-LOCK 1/4 SPLIT ZP
19	712320	2	WASHER-FLAT 20 X .45 X .048 NYLON
20	712533	1	SCR-PHMS 10-24 X 1.25 SS
21	712667	2	NUT-NYLOC 1/4-20 SS
22	712770	7	WASHER-INT TOOTH LOCK #10 SS
23	712810	7	SCR-RHMS 10-24 X .37 ZP
24	742748	4	CIRCUIT BREAKER-BOOT
25	747608	1	I-DRIVE, 24V 70A PM CONTROL
26	747637	1	WIRE ASY, MACHINE-BATTERY E1720
27	748954	1	ELECTRICAL PANEL ASY PHX20 SPORT
28	747716	1	I-DRIVE, 24V 180A CONTROLLER-SPORT
29	747717	1	KEYSWITCH ASSY, 2 POS, ON/OFF
30	747718	1	LAMP ASSY, LED AMBER, 24V
31	760134	2	MOUNT RING
32	762084	1	SPRING-EXT .25OD X 2" F.L. MUSIC
33	762400	1	BUSH -HEYCO 1-5/8 X 2-1/8 X 29/64 2400 B
34	828062	1	CABLE TIE LARGE
35	957937	1	CHARGER, 24V, 155-193AH
36	15592033	2	CAP, SAFETY NUT COVER M8

**Vacuum Switch Assembly**



BILL OF MATERIAL - 172141			
ITEM	PART NO.	QTY	DESCRIPTION
1	172140	1	BKT, VAC SWITCH MOUNT
2	172337	1	VAC SWITCH COVER
3	710493	2	SCR-RHMS 4-40 X .75 ZP
4	711428	2	NUT-HEX 4-40 ZP
5	712326	2	WASHER-INT LOCK #4 SS
6	747603-2	1	SWITCH ASY, MICRO ROLLER W/PACK/CONDUIT

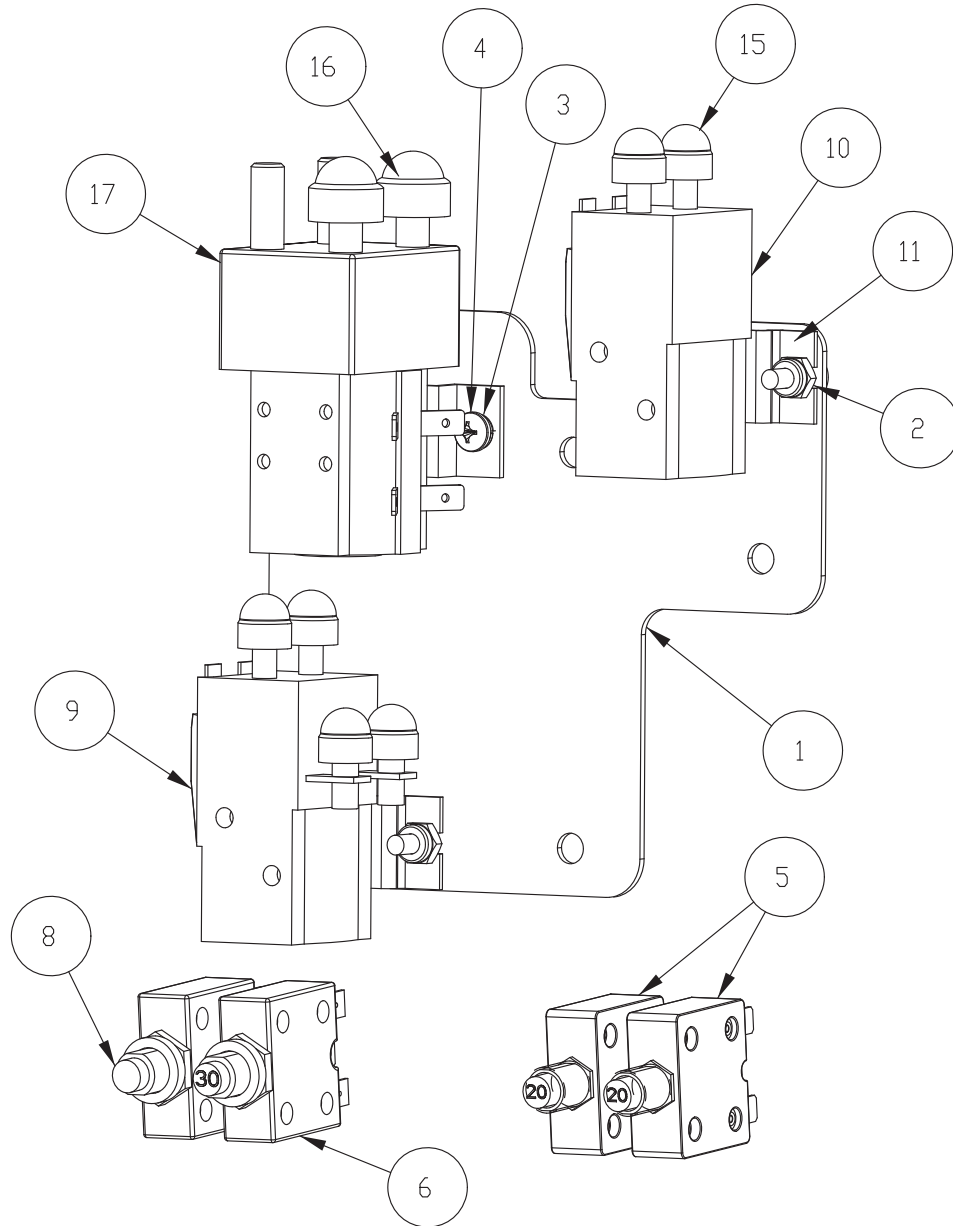
Vac Motor Assembly



**BILL OF MATERIAL - 172050**

ITEM	PART NO.	QTY	DESCRIPTION
1	172045	1	VAC MOUNT WMT
2	172048	1	HOSE, STRETCH 13", 90 CUFF
3	172124	1	EDGE TRIM, .063 X 3.0, BLACK
4	172186	1	FOAM COVER FRONT 1, 1/2 THICK
5	172187	1	FOAM COVER FRONT 2, 1/2" THICK
6	172188	.5	FOAM TAPE, 1/2" SQ X 16.5"
7	450095	1	CLAMP-CRIMP 1.75" OD
8	711160	4	SCR-HI/LO 10 X .625 BLACK ZINC
9	711503	4	WASHER-FLAT #10 X .50 ZP
10	715967	1	DECAL - WARNING, DO NOT PICK UP (NOT SHOWN)
11	747607-1	1	VAC MOTOR ASY, 24V PERIF BYPASS

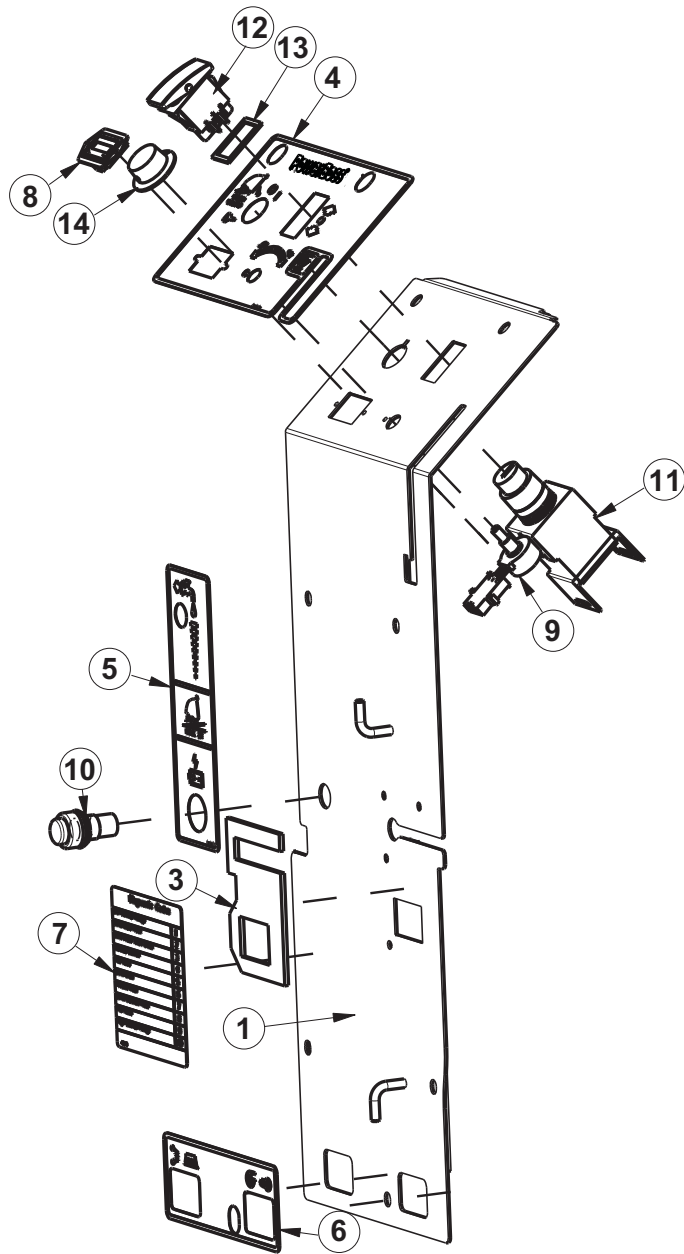
Electrical Panel Assembly



**Electric Panel Assembly BOM**

<b>BILL OF MATERIAL - 748954</b>			
<b>ITEM</b>	<b>PART NO.</b>	<b>REQ'D</b>	<b>DESCRIPTION</b>
1	172483	1	BKT, RELAY PANEL, SPORT
2	711350	4	NUT-NYLOC 10-32 ZP
3	711543	2	WASHER-LOCK #10 SPLIT ZP
4	712800	2	SCR-RHMS 10-24 X .25 ZP
5	740220	2	CIRCUIT BREAKER-20AMP PUSH BUTTON
6	740549	1	CIRCUIT BREAKER-50AMP PUSH BUTTON
7	740482	2	DIODE ASY, 1N4007 W/PIGGY
8	747609	1	CIRCUIT BREAKER-4.0AMP PUSH BUTTON
9	747615	1	RELAY, 24VDC 2 POLE NO/NC 80A
10	747616	1	RELAY, 24VDC 1 POLE NO 80A
11	747619	2	BRACKET, RELAY 747615 & 747616
12	748359	1	WIRE ASSY, RED 8 AWG
14	748953	1	HARNESS, E20 SPORT, MAIN
15	15592025	6	CAP, SAFETY NUT COVER M6
16	15592033	2	CAP, SAFETY NUT COVER M8
17	90331026	1	RELAY, 24VDC 2 POLE NO 125A

Electrical Box Cover Assembly

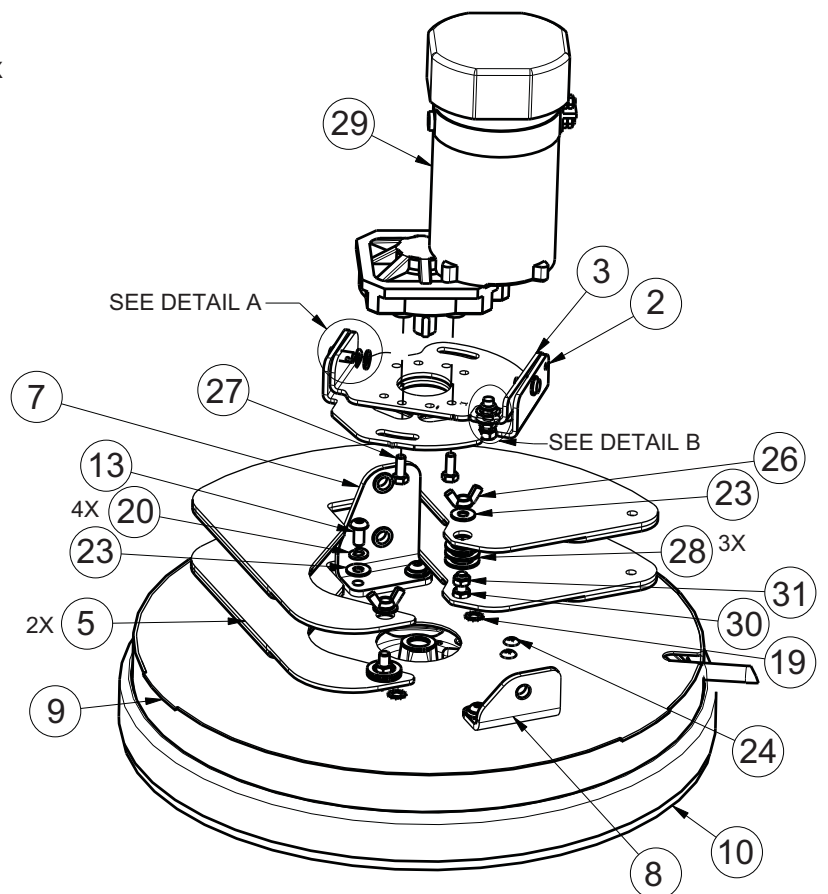
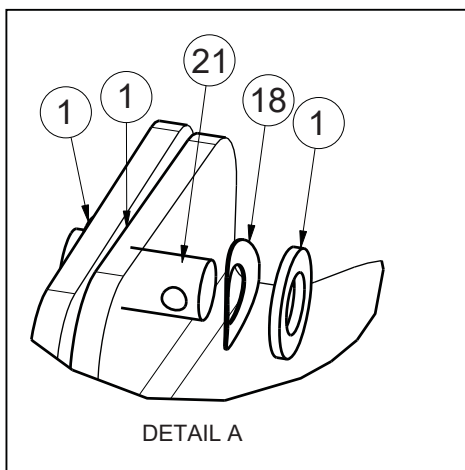
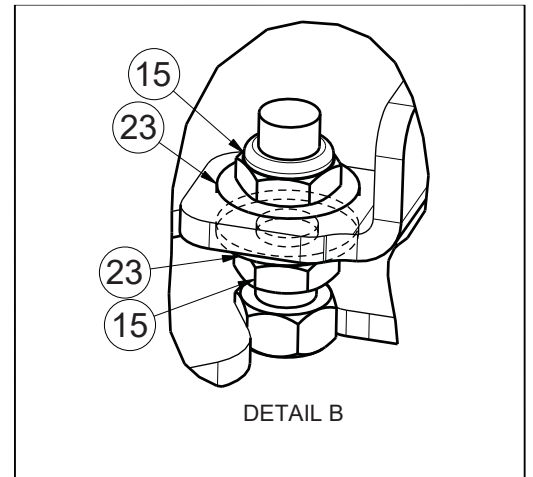
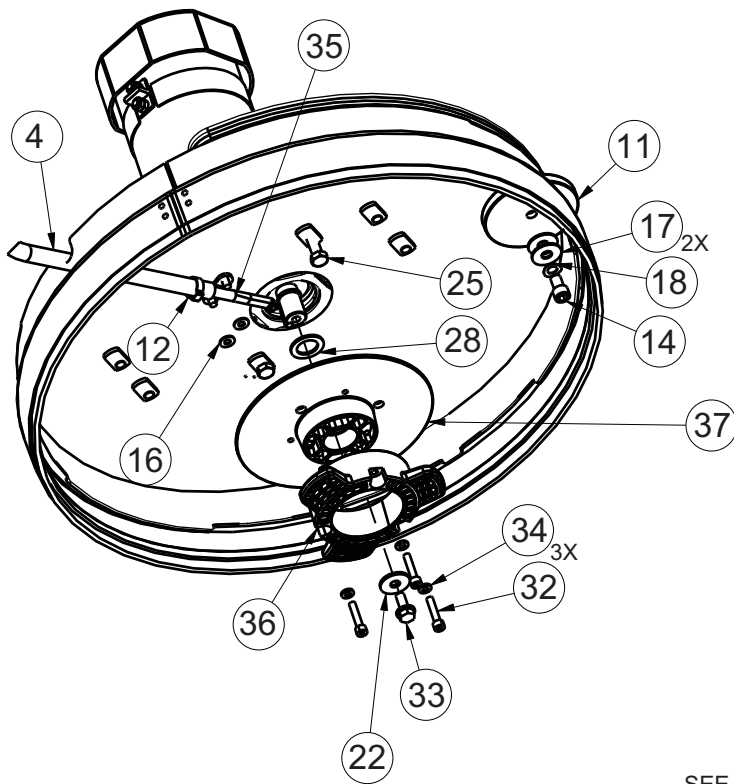




Electric Box Cover Assembly BOM

BILL OF MATERIAL - 172079			
ITEM	PART NO.	REQ'D	DESCRIPTION
1	172485	1	E20 SPORT ELEC BOX COVER WMT
3	172194	1	GASKET, CHARGER CORD PLATE
4	715682	1	DECAL, DASHBOARD PHOENIX 22 TD
5	715697	1	DECAL, SPORT CHARGER STATUS
6	715693	1	DECAL, SPORT C.B./KEY/LED
7	715699	1	DECAL, DIAGNOSTIC CODES, NARROW
8	747011	1	GAUGE-BATTERY TRUCHARGE PGDT 36VDC
9	747026	1	POTENTIOMETER ASSY, SPEED CONTROL 5K
10	****	1	INDICATOR, BATTERY CHARGE STATUS ( <i>INCLUDED WITH CHARGER</i> )
11	747617	1	KEYSWITCH ASY, KEYSWITCH + HARN E1720TD
12	748201	1	SWITCH, DPDT ON/OFF/ON (SCV 2426)
13	748209	1	GASKET-FOR 2 POLE ROCKER SWITCHES
14	809874	1	KNOB-SPEED CONTROL

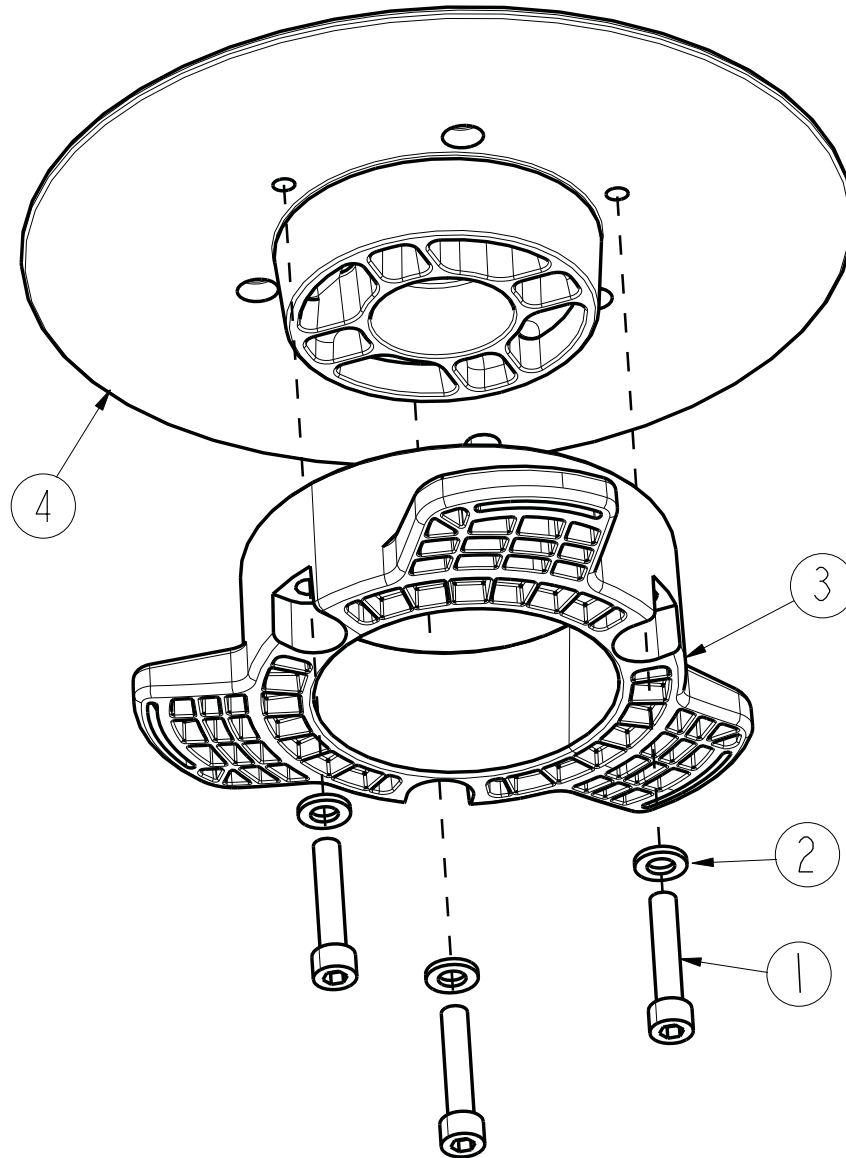
20" Brush Deck Assembly



**20" Brush Deck Assembly BOM**

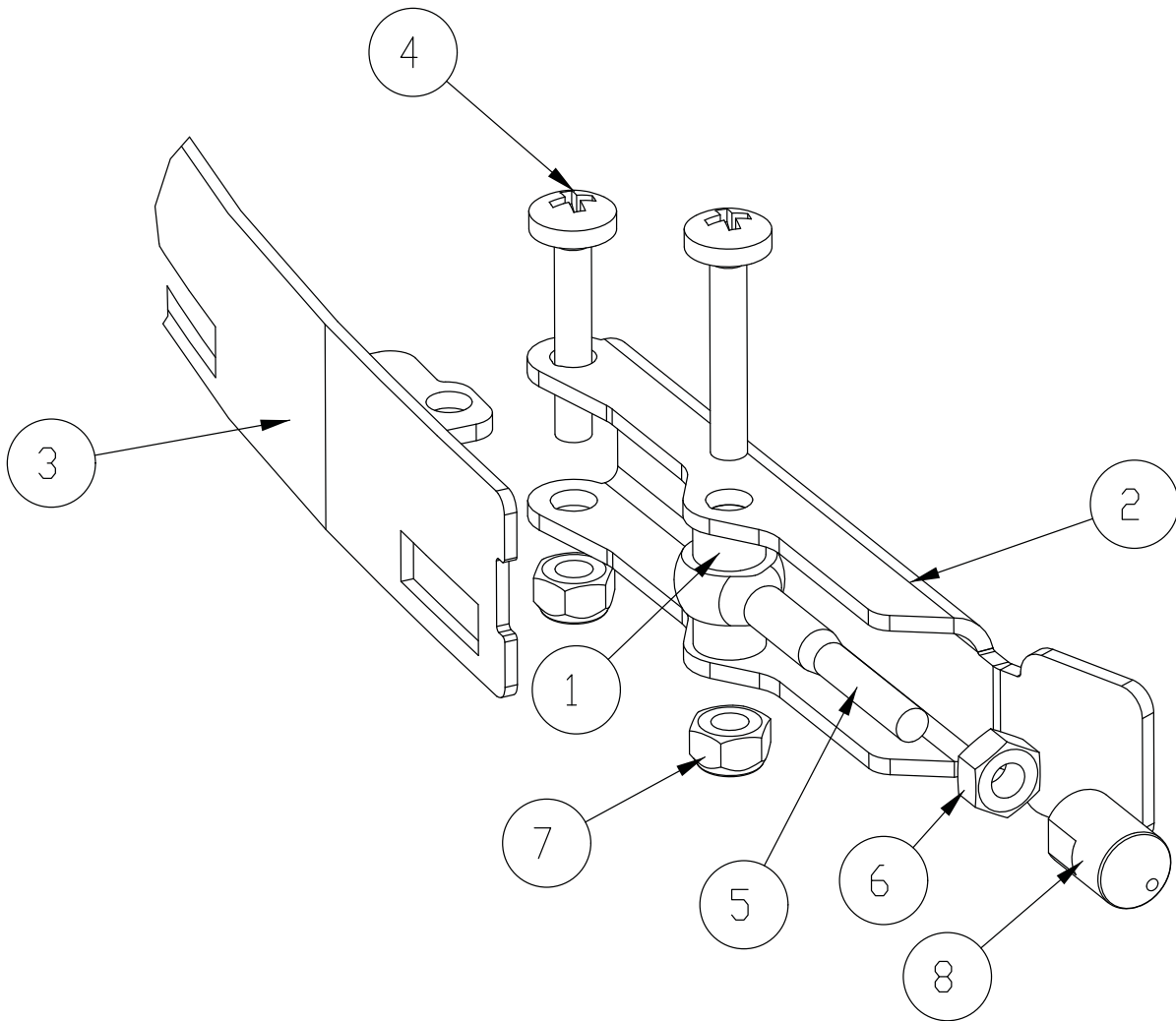
<b>BILL OF MATERIAL - 172100-SPORT</b>			
<b>ITEM</b>	<b>PART NO.</b>	<b>QTY</b>	<b>DESCRIPTION</b>
1	81-166-A	6	WASHER-FLAT .390 X .687 ZP
2	172040	1	WELDMENT-DECK ANGLE ADJUST
3	172044	1	PLATE MOTOR MOUNT
4	172198	1	HOSE-NYLO REINF 3/8 X 22.5"
5	172208-1	2	SPORT BRUSH DECK PLATE
7	172296	1	BKT, DECK MOUNT RT
8	172297	1	BKT, DECK MOUNT LEFT
9	172375	1	DECK COVER WMT, 20"
10	172384	1	FLOATING BRUSH DECK SKIRT
11	210153	1	ROLLER WHEEL
12	450076	1	CLAMP-HOSE 5/8 (.590-.791) SS
13	710990	4	SCR-BHSCS 3/8-24 X .75 ZP
14	710991	1	SCR-HH 3/8-24 X .62 ZP GR 5
15	711375	2	NUT-NYLOC 3/8-16 ZP
16	711504	2	WASHER-FLAT 1/4 SS
17	711507	2	WASHER-FLAT 3/8 X 1.12 X .06
18	711523	3	WASHER-WAVE .37 X .68 X .08
19	711539	2	WASHER-EXT LOCK 3/8 ZP
20	711546	4	WASHER-LOCK 3/8 SPLIT ZP
21	711679	2	PIN-CLEVIS 3/8 X .750 ZP
22	711855	1	WASHER-FENDER 3/8 X 1.12 X .10 ZP HARD
23	712301	8	WASHER-FLAT 3/8 X .87 X .06 ZP
24	712565	2	SCR-THMS 1/4-20 X .62 SS
25	712835	2	SCR-HH 3/8-24 X 1.5 SS FULL THREAD TAP
26	712836	2	NUT-WING 3/8-24 ZP
27	717024	4	SCR-HH M8-1.25 X 20 ZP GRADE 8.8
28	717025	7	WASHER-FLAT 13/16 X 1.25 X .08 ZP
29	747706	1	MOTOR, 24VDC PM 750W
30	3400067	2	NUT-HEX 3/8-24 ZP GR 5
31	3400075	2	NUT-JAM 3/8-24 ZP
32	11127000	3	SCR-SHCS M6X30 SS, ISO4762
33	11717203	1	BLT-HH FLG M8X1.25X20 PRECOTE, ZD 10.9
34	12310256	3	WSR-FLT 6.4X12X1.6, SS DIN125
35	90311663	1	FITTING, WATER NOZZLE W/ MOUNT HOLES
36	90541814	1	DRIVE HUB, PLASTIC, 3-LOBE
37	172096MCH	1	HUB BASE MACHINED

**PHX20 Brush Hub Assembly**



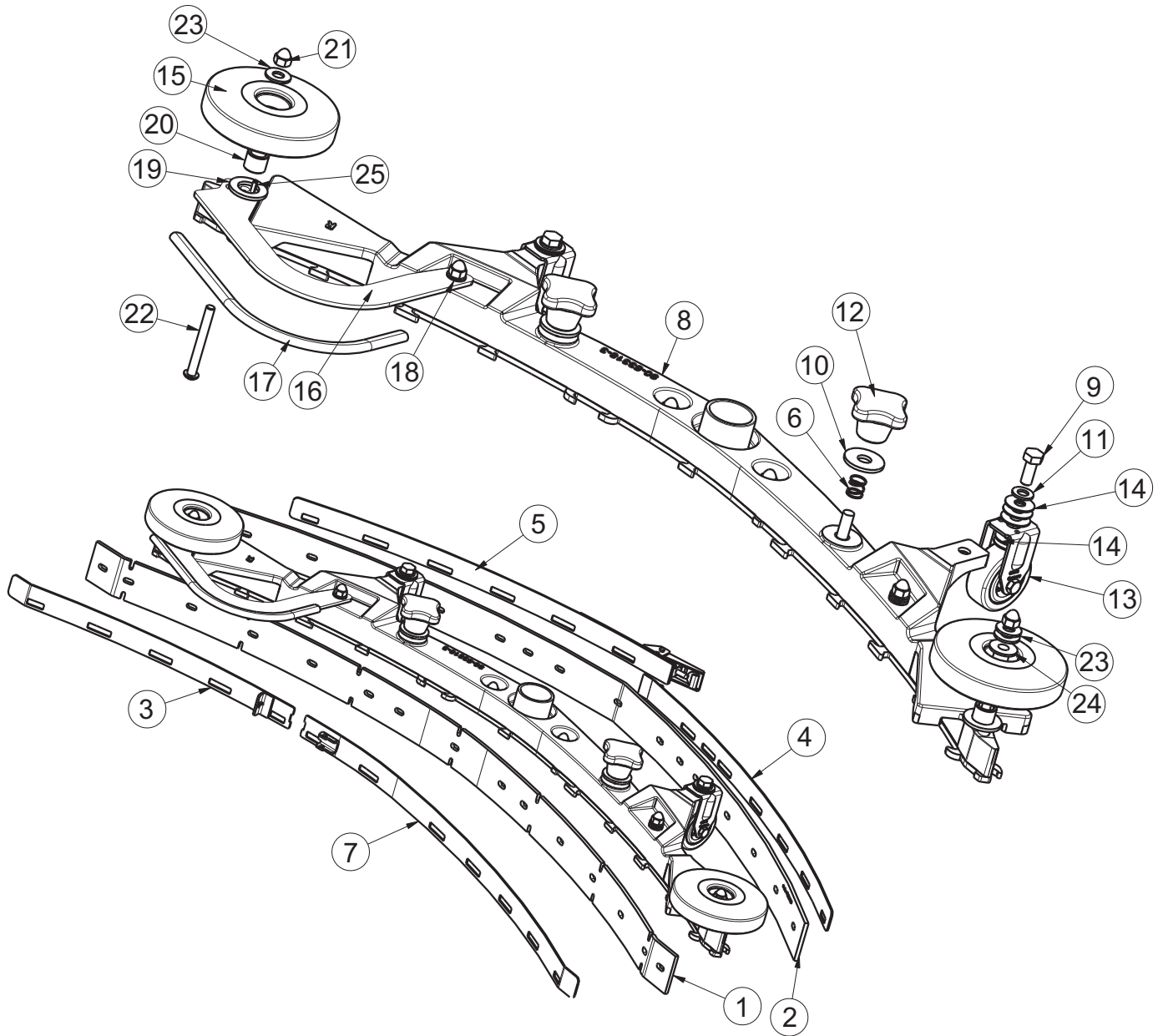
BILL OF MATERIAL - 172510			
ITEM	PART NO.	QTY	DESCRIPTION
1	11127000	3	SCR-SHCS M6X30 SS, ISO4762
2	12310256	3	WSR-FLT 6.4X12X1.6, SS DIN125
3	90541814	1	DRIVE HUB, PLASTIC 3 LOBE
4	172096MCH	1	BASE, DRIVE HUB WITH KEYWAY

Tension Band Sub-Assembly



BILL OF MATERIAL - 172440			
ITEM	PART NO.	QTY	DESCRIPTION
1	172074	2	SPACER, 5/16OD X 17GA, ALUM
2	172234	1	LEVER, 90535758
3	172240	1	STRAP WMT, FRONT LEFT
4	11175494	2	SCR-MC M5 X 25 SS DIN7985
5	11518313	1	BLT-EYE M5 X 40 SS
6	12022430	1	NUT- HEX, M5, SS DIN934
7	12040283	2	NUT- HEX, M5 NYLON LOCK, SS DIN985
8	90513631	1	PIN, THD 90513631

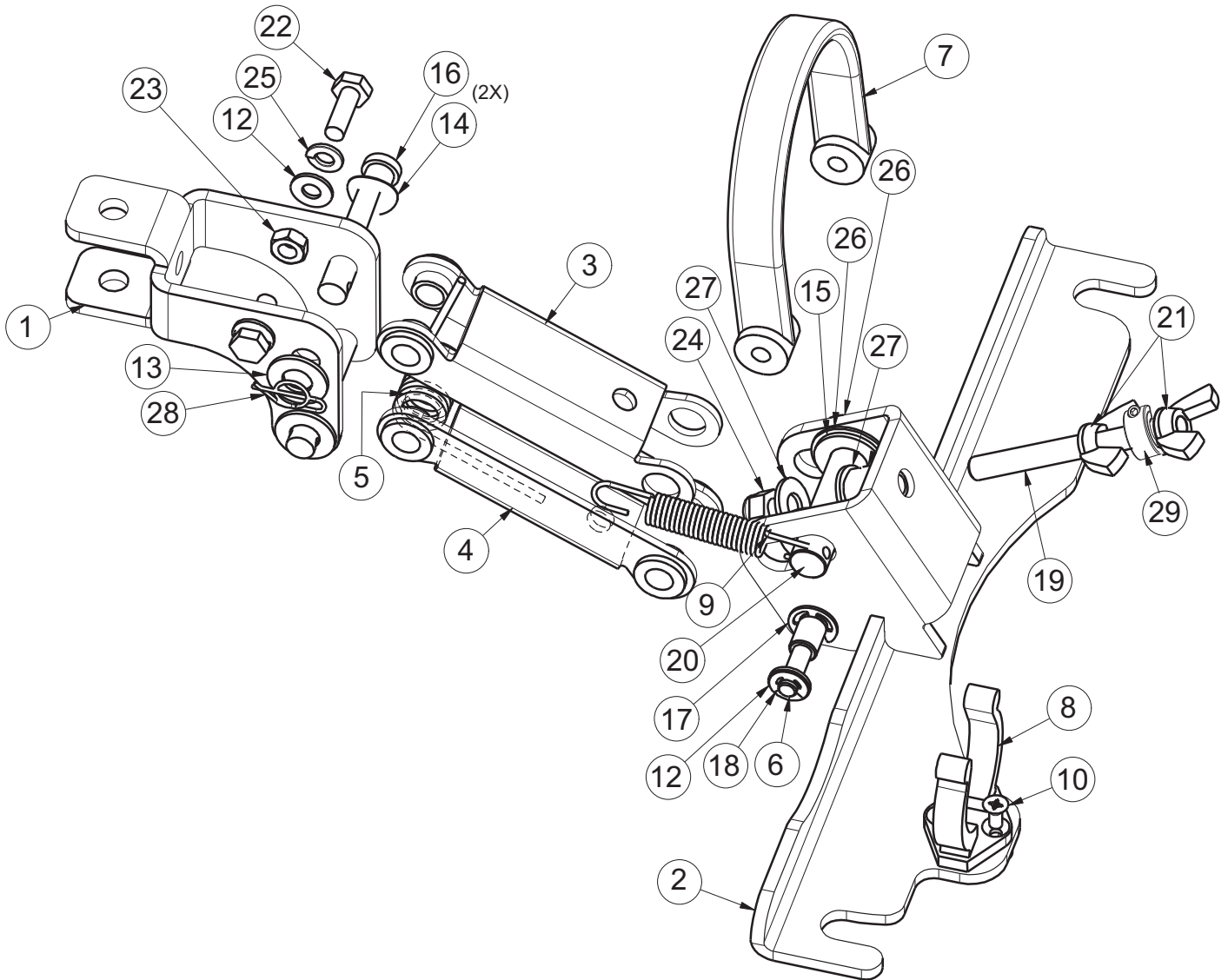
Rear Squeegee Assembly



**Rear Squeegee Assembly BOM**

BILL OF MATERIAL - 172534			
ITEM	PART NO.	QTY	DESCRIPTION
1	172162	1	SQUEEGEE BLADE, FRONT 34" (860) 4MM PU
2	172163	1	SQUEEGEE BLADE, REAR 34" (860), 4MM PU
3	172241	1	STRAP WMT, FRONT RT - 34" (860) SQG
4	172245	1	STRAP WMT, REAR LEFT - 34" (860) SQG
5	172246	1	WELD-STRAP REAR RT - 34" (860) SQG
6	172429	2	SPRING, COMP .4 ID X .5FL SS
7	172440	1	STRAP W/ LATCH, FRONT LEFT, 34" SQG
8	172535	1	34" SQUEEGEE BASE ASM
9	717030	2	SCR-HH M8-1.25 X 20 SS
10	717040	2	WASHER-FLAT M10.5 X 30 X 2.5 SS
11	12310264	2	WSR-FLT M8.4 X 16 X 1.6 A2 SS 140HV DIN
12	17133026	2	STAR HANDLE, M10, BLACK
13	90513094	2	FIXED CASTER
14	90531112	10	WASHER-FLAT 8.3 x 22 x 1.00mm STAINLESS
15	90548397	2	ROLLER - PLASTIC, 100mm DIA. (4")
16	172271	1	BUMPER, 34" SQG
17	172274	1	EDGE TRIM, 5/16 X 10" BLACK
18	711504	5	WASHER-FLAT 1/4 SS
19	711527	2	WASHER-FLAT .63 X 1.12 X .09
20	430322	2	BUSHING-.435 X .625 X .50 ZINC
21	712591	6	NUT-ACORN 1/4-20 SS
22	712592	2	SCR-BHSCS 1/4-20 X 2.25 SS
23	712772	3	WASHER-FLAT .344 X .75 X .06 SS
24	840202	1	BUSHING-FLG .31 X .435 X .325 NYL
25	3400727	1	PIN-ROLL 1/8 X .50 ZINC

Squeegee Mechanism Assembly





**Squeegee Mechanism Assembly BOM**

<b>BILL OF MATERIAL - 172150</b>			
<b>ITEM</b>	<b>PART NO.</b>	<b>QTY</b>	<b>DESCRIPTION</b>
1	172134	1	BKT, SQG HINGE
2	172155	1	SQUEEGEE MOUNT WMT
3	172196	1	UPPER SQG LINK
4	172197	1	LOWER SQG LINK
5	172261	1	SPRING, TORSION 1720 SQG
6	172352	1	PIN, 3/8 X 3.0, SQG STRAP
7	172357	1	STRAP, 9" PU, BLACK
8	260579	1	CLIP-TOOL 1.5 INCH HOSE
9	430051	1	SPRING-RETURN .313 X .438 X 2.93 SS
10	710528	2	SCR-FHMS 8-32 X .37 BRASS
11	711420	1	NUT-JAM 5/16-18 ZP
12	711504	4	WASHER-FLAT 1/4 SS
13	712767	2	WASHER-FLAT .406 X .75 X .035 SS
14	711523	2	WASHER-WAVE .37 X .68 X .08
15	711592	2	WASHER-FLAT 1/2 X .90 X .064 NYLON
16	711678	2	PIN-CLEVIS 3/8 X 2 1/4 ZP
17	711717	2	RET RING-E EXT .37
18	711720	2	RET RING-E EXT .25
19	712147	1	ROD-THD 5/16-18 X 3.25 SS
20	712148	1	PIN-CLEVIS 1/2 X 2.25 WITH HOLE
21	712157	2	NUT-WING 5/16-18 SS
22	712562	2	SCR-HH 1/4-20 X .75, 18-8 SS
23	712665	2	NUT-HEX 1/4-20 SS
24	712683	1	NUT-NYLOC 5/16-18 SS
25	712758	2	WASHER-LOCK 1/4 SPLIT SS
26	712760	3	WASHER-FLAT .56 X 1.06 X .04 SS
27	712772	2	WASHER-FLAT .344 X .75 X .06 SS
28	3400125	1	RING-RUE 3/8
29	713528	1	COLLAR-THREADED CLAMP 5/16-18X5/16-BK OX

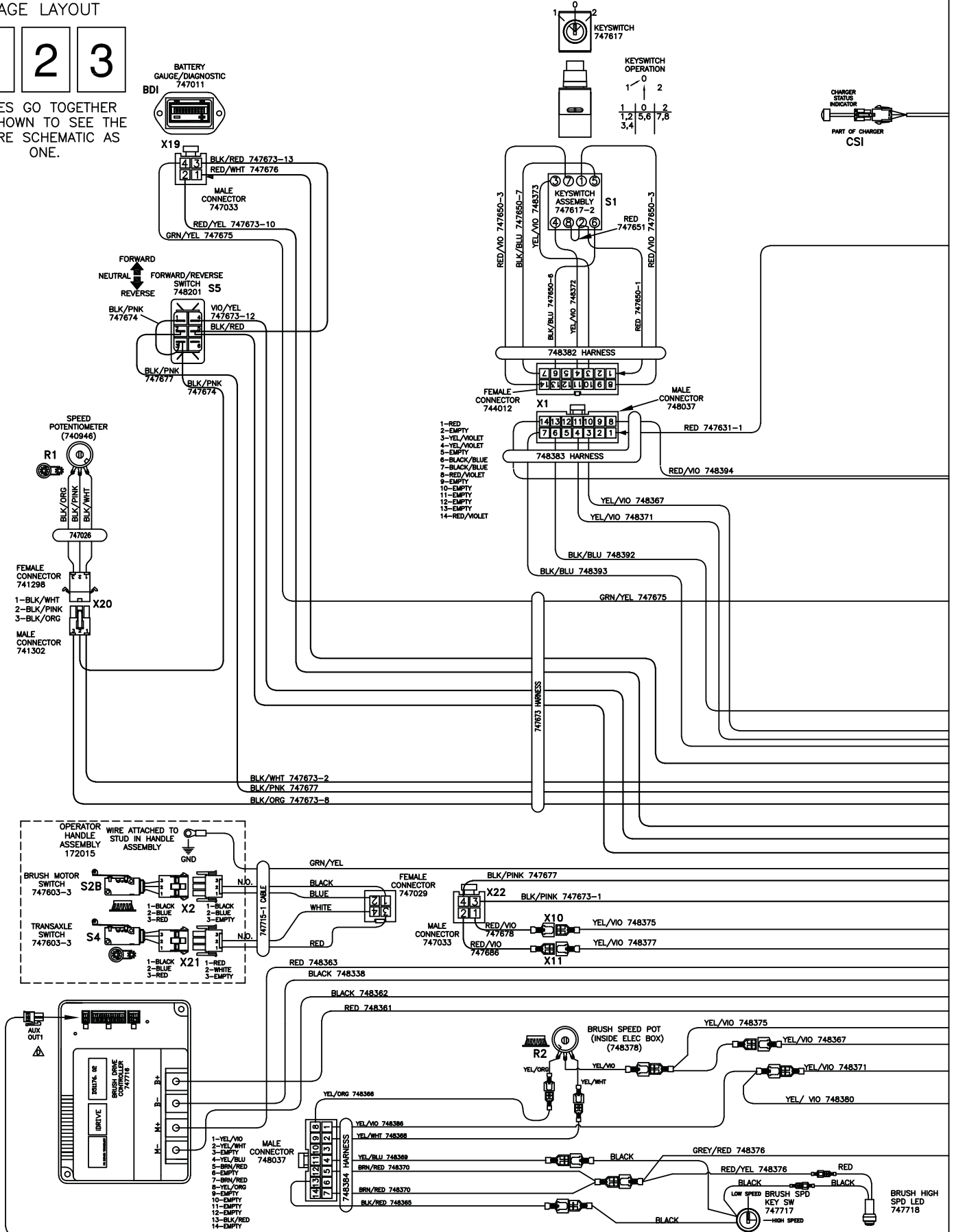
# Wiring Diagrams

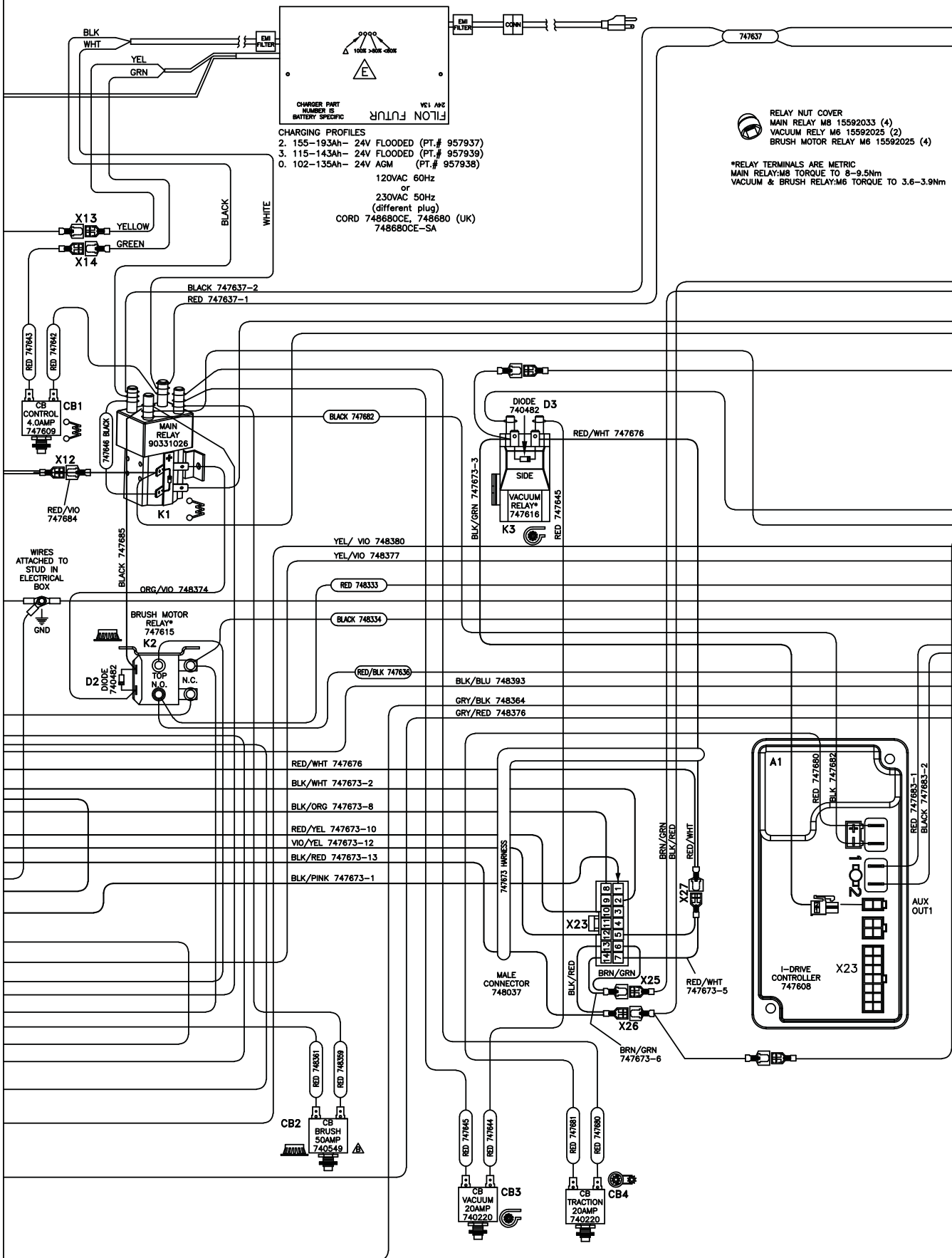
1

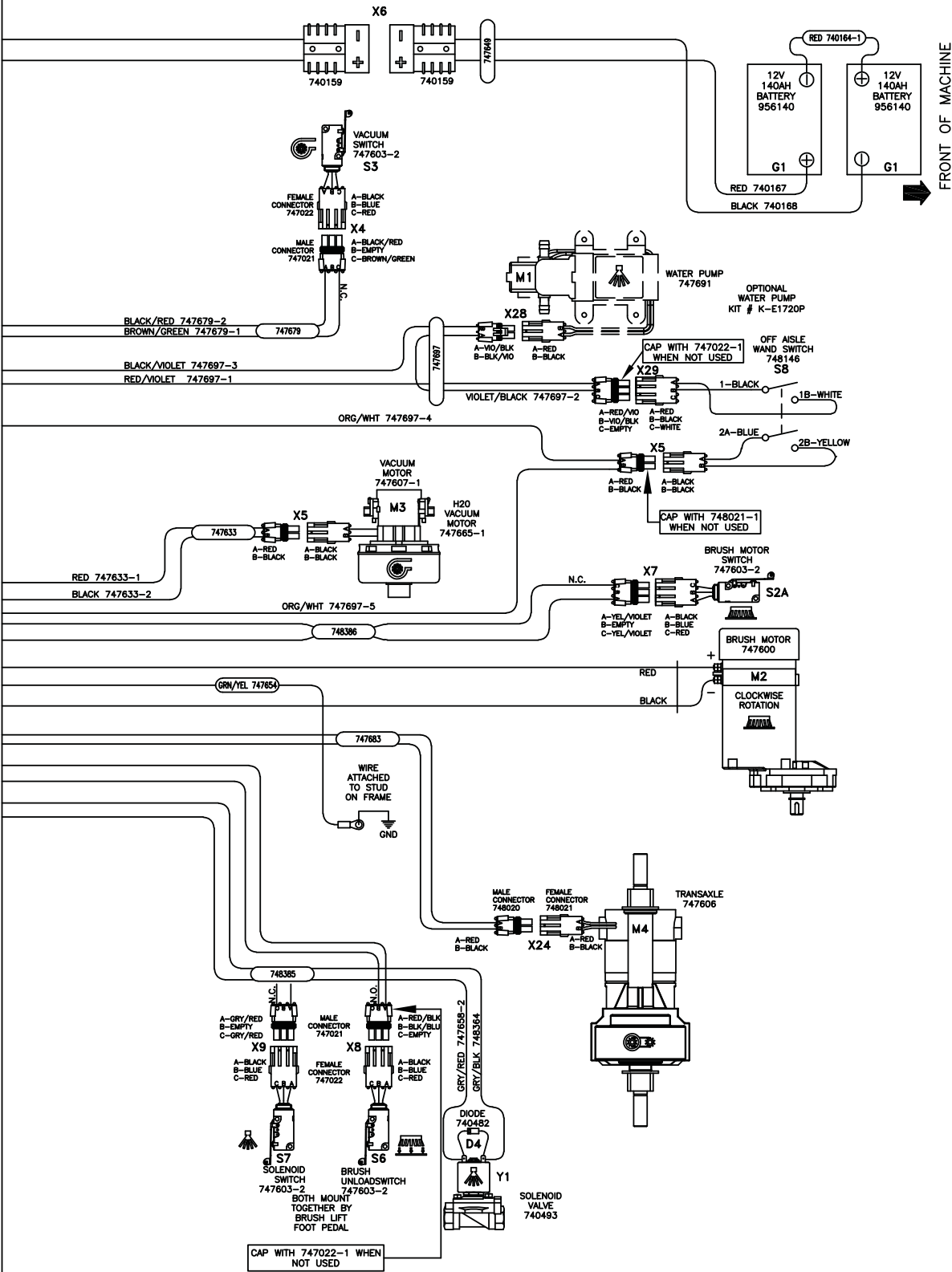
PAGE LAYOUT

1 2 3

PAGES GO TOGETHER AS SHOWN TO SEE THE ENTIRE SCHEMATIC AS ONE.









**Revision M**  
**Effective February 2020**  
**PowerBoss Made Simple Industrial Limited Warranty**

Minuteman International owner of PowerBoss warrants to the original purchaser/user that the product is free from defects in workmanship and materials under normal use. PowerBoss will, at its option, repair or replace without charge, parts that fail under normal use and service when operated and maintained in accordance with the applicable operation and instruction manuals. All warranty claims must be submitted through and approved by factory authorized repair stations.

This warranty does not apply to normal wear, or to items whose life is dependent on their use and care. Parts not manufactured by PowerBoss are covered by their respective manufacturers. Please contact Minuteman International for procedures in warranty claims against these manufacturers.

**Special warning to purchaser** -- Use of replacement parts not manufactured by PowerBoss or its designated licensees, will void all warranties expressed or implied. A potential health hazard exists without original equipment replacement.

All warranted items become the sole property of Minuteman International or PowerBoss or its original manufacturer, whichever the case may be.

PowerBoss disclaims any implied warranty, including the warranty of merchantability and the warranty of fitness for a particular purpose. PowerBoss assumes no responsibility for any special, incidental or consequential damages.

This limited warranty is applicable only in the U.S.A. and Canada, and is extended only to the original user/purchaser of this product. Customers outside the U.S.A. and Canada should contact their local distributor for export warranty policies. PowerBoss is not responsible for costs or repairs performed by persons other than those specifically authorized by PowerBoss. This warranty does not apply to damage from transportation, alterations by unauthorized persons, misuse or abuse of the equipment, use of non-compatible chemicals, or damage to property, or loss of income due to malfunctions of the product. If a difficulty develops with this machine, you should contact the dealer from whom it was purchased.

This warranty gives you specific legal rights, and you may have other rights, which vary from state to state. Some states do not allow the exclusion or limitation of special, incidental or consequential damages, or limitations on how long an implied warranty lasts, so the above exclusions and limitations may not apply to you.

**Note: Reimbursement for rental machines will require prior review and authorization by a PowerBoss representative or warranty administrator.**

	Travel *	Labor	Parts	Engine	Extended Warranty	Costs
<b>Walk Behind</b>						****
Battery/IC Sweepers	90 Days	36 months	36 months	Through engine manufacturer	N/A	-
Battery Scrubbers	90 Days	36 months	60 months	N/A	N/A	-
<b>Riders</b>						
Battery Scrubbers	90 Days	36 months	36 months	N/A	Additional 12 months parts and labor (or 1000 Hours)	5%
IC Sweeper/Scrubbers (Nautilus, 82)	180 Days	24 months	36 months or 3000 hr.	60 months or 3000 hrs**	Additional 12 months parts and labor (or 1000 Hours)	5%
IC Sweepers 6X, 9X, 10X, Atlas	90 Days	12 months	48 months or 3000 hr.	60 months or 3000 hrs**	Additional 12 months parts and labor (or 1000 Hours)	5%
<b>Exceptions</b>						
Apex Series Sweeper	90 Days	36 months	36 months or 3000 hr	Through engine manufacturer	Additional 12 months parts and labor (or 1000 Hours)	5%

**Tank Bladders** Eight years/ no additional labor  
**Polyethylene plastic tanks** Ten years/ no additional labor  
**Batteries** 0-3 months full replacement, 4-12 prorated credit  
**Chargers** One-year replacement  
**Aftermarket Replacement parts** Ninety days from date of purchase

\*Two-Hour Cap Per Service Call

\*\*Through Engine Manufacturer. See Section 3 of Warranty Manual for Engine Warranty Exceptions

\*\*All above labor and travel reimbursed at 65% or 75% of the published shop rate.



*PowerBoss*<sup>®</sup>  
*The Power of Clean*

***'The Power of Clean'***

**PowerBoss® is a Full Line Manufacturer of Sweepers and Scrubbers,  
for Industrial Facilities.**

PowerBoss®, Minuteman International, Inc. 14N845 U.S. Route 20 Pingree Grove, Illinois 60140  
Phone: 800-323-9420 [www.PowerBoss.com](http://www.PowerBoss.com) Email: [tech@powerboss.com](mailto:tech@powerboss.com)

**A Member of the Hako Group**